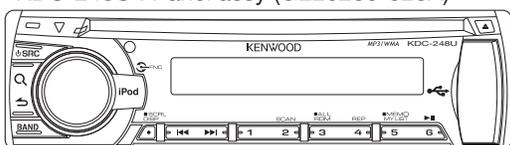


SERVICE MANUAL

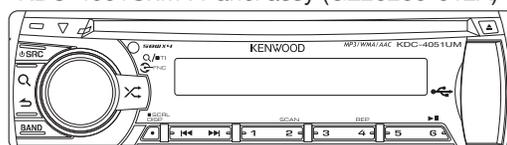
Tuner setting adjustment after replacing E2PROM

After replacing E2PROM (IC771 on X34), tuner setting adjustment is needed. The adjustment is that to perform the "TUNER Setting Adjustment Mode" (Page 5) in the "Tuner Test Mode Specification" of "Production Test Mode".

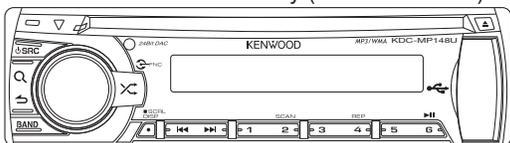
KDC-248U : Panel assy (GE20280-020A)



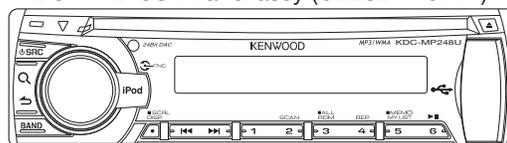
KDC-4051UxM : Panel assy (GE20280-012A)



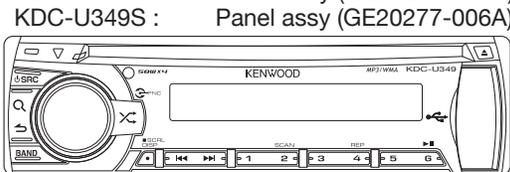
KDC-MP148U : Panel assy (GE20280-002A)



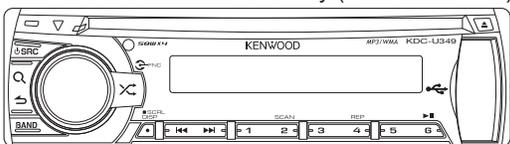
KDC-MP248U : Panel assy (GE20277-017A)



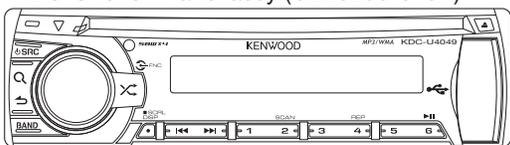
KDC-U349A/G/R : Panel assy (GE20277-019A)



KDC-U349S : Panel assy (GE20277-006A)



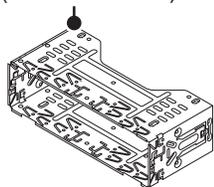
KDC-U4049 : Panel assy (GE20280-019A)



TDF SPARE-PANEL

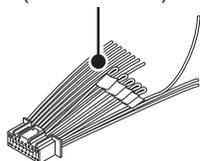
MAIN UNIT NAME	TDF PARTS No.	TDF NAME
KDC-208U	Y33-3390-11	TDF-120D
KDC-248U	Y33-3380-10	TDF-128D
KDC-4051UGM	Y33-3400-26	TDF-4051UGM
KDC-4051URM	Y33-3400-25	TDF-4051URM
KDC-MP148U	Y33-3390-10	TDF-MP11DU
KDC-MP248U	Y33-3380-11	TDF-MP12DU
KDC-U3049	Y33-3400-20	TDF-U3049
KDC-U349A	Y33-3400-24	TDF-U349A
KDC-U349G	Y33-3400-23	TDF-U349G
KDC-U349R	Y33-3400-21	TDF-U349R
KDC-U349S	Y33-3400-22	TDF-U349S
KDC-U4049	Y33-3403-01	TDF-U4049

Mounting sleeve assy (GE34134-001A)



* Tap screw (2x8) (N80-2008-43)

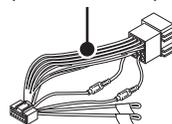
* Car cable (E30-xxxx-xx)



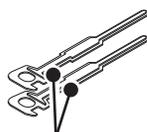
* Screw set (N99-1757-15)



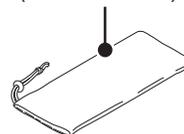
* Car cable (E30-6937-05)



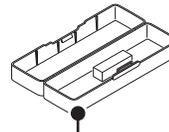
Hook (GE40510-001A) x2



* Carrying case (W01-1710-05)



* Hard case assy (A02-2757-13)



* Remote control unit (RC-405) (A70-2104-05)



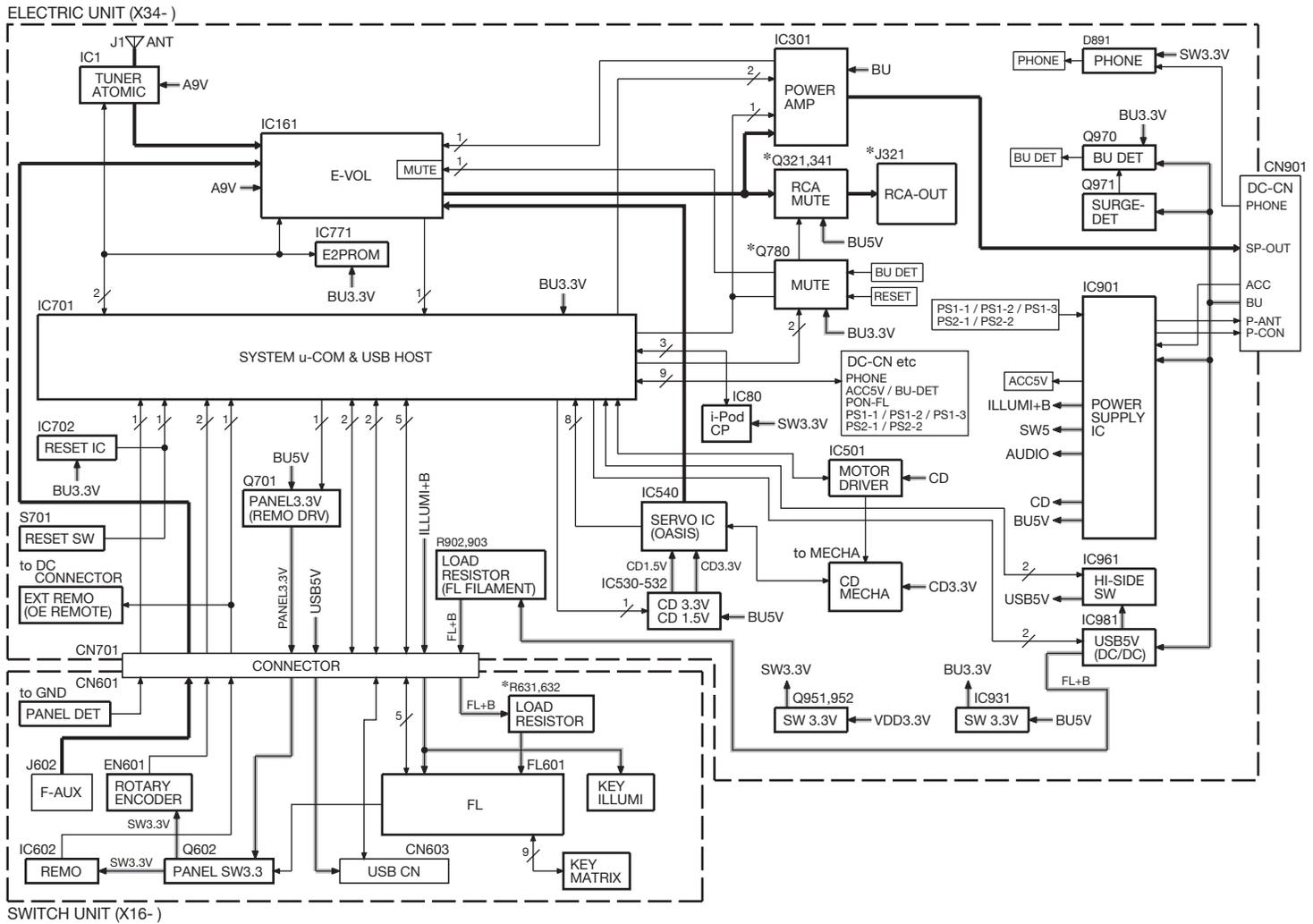
Trim plate (GE20274-001A)



* Depends on the model. Refer to the parts list.

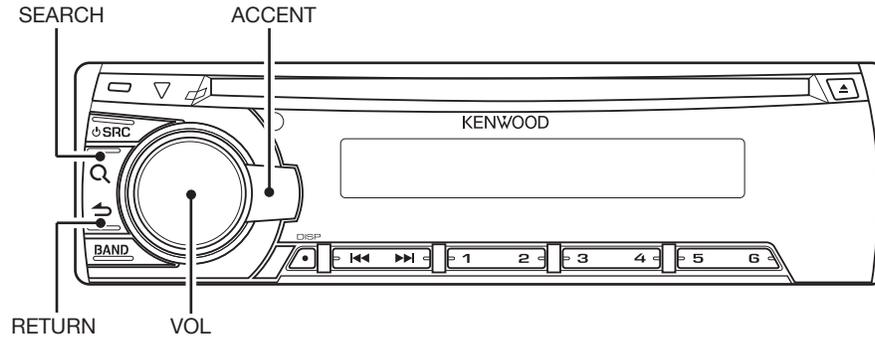


BLOCK DIAGRAM



TEST MODE

1. Panel



2. How to enter each Test Mode

Test Mode name	Operation
Production Test Mode	Press and hold [1] key and [3] key and reset.
Service Test Mode	In the STANDBY source, while pressing and holding [2] key, press [6] key for 7 seconds. (Starting to press [2] key and [6] key at the same time can not be entered into the mode)
DC Error Information Mode	Press and hold [3] key and [6] key and reset.

* Transition to Test Mode shall be available during DC Error detection.

3. How to release each Test Mode

- Reset
- Momentary voltage drop
- ACC OFF
- POWER OFF
- Panel Detach

4. Production Test Mode

● Default status immediately after the mode activation

It shall be same as normal RST start in other settings than the following.

Details		
Difference in action	Period to prohibit TEL/LINE MUTE immediately after activation (normally 10 seconds)	1 second
	Mecha Initialize Action	Prohibited
	Write-in to E2PROM when detecting a DC error	Prohibited
	Demo Mode ON/OFF Setting Menu	Prohibited
	Power supply during ACC OFF (Back Up On)	MUTE terminal turns OFF after 2 seconds
	BEEP sound	Beep with short-pressing in any functions
Various setting value	Volume	30 (-10dB)
	BASS BOOST/LOUD	OFF
	EQ	NATURAL
	Fader/Balance	Center
	DEMO Mode Setting	OFF
	AUX Setting	ON1
	NAVI MUTE Setting for Japan	Detecting function valid (ATT)

TEST MODE

● Mode structure

Some Test Modes change according to the current source.

The following table shows the current source in Set and the related test mode status.

Model source	Test mode
POWER OFF	-
Standby	STANDBY Test Mode
TUNER	TUNER Test Mode
CD	CD Test Mode
USB	-
AUX	-

● Mode content

Syscom shall display the following information after entering this mode. The operation shown below shall be workable.

Display content	Details
P R O <input type="checkbox"/> T E S T <input type="checkbox"/> <input type="checkbox"/> <input type="checkbox"/>	The display is released when another operation is executed. The display will blink if sub clock is not functioning.

● STANDBY Test Mode Specification

Operation	Display content	Details
1 (Toggle)	Syscom version display <input type="checkbox"/> <input type="checkbox"/> S Y S 0 * - * * *	Syscom version (Refer to Syscom Version Table)
	All lights ON <input type="checkbox"/> <input type="checkbox"/> <input type="checkbox"/> <input type="checkbox"/> <input type="checkbox"/> <input type="checkbox"/> <input type="checkbox"/> <input type="checkbox"/> <input type="checkbox"/> <input type="checkbox"/> <input type="checkbox"/> <input type="checkbox"/>	All lights ON (Switch with other display)
2 (Toggle)	Serial No. display S N <input type="checkbox"/> 0 0 0 0 0 0 0 0	Serial No. display (8-digit) * Display as it is in hex
	All lights ON <input type="checkbox"/> <input type="checkbox"/> <input type="checkbox"/> <input type="checkbox"/> <input type="checkbox"/> <input type="checkbox"/> <input type="checkbox"/> <input type="checkbox"/> <input type="checkbox"/> <input type="checkbox"/> <input type="checkbox"/> <input type="checkbox"/>	All lights ON (Switch with other display)
3 (Toggle)	All lights ON/OFF <input type="checkbox"/> <input type="checkbox"/> <input type="checkbox"/> <input type="checkbox"/> <input type="checkbox"/> <input type="checkbox"/> <input type="checkbox"/> <input type="checkbox"/> <input type="checkbox"/> <input type="checkbox"/> <input type="checkbox"/> <input type="checkbox"/> <input type="checkbox"/> <input type="checkbox"/> <input type="checkbox"/> <input type="checkbox"/> <input type="checkbox"/> <input type="checkbox"/> <input type="checkbox"/> <input type="checkbox"/> <input type="checkbox"/> <input type="checkbox"/> <input type="checkbox"/> <input type="checkbox"/>	All lights ON/OFF with toggle
4 (Toggle)	Information display iPod verification IC mount status display i P o d <input type="checkbox"/> <input type="checkbox"/> <input type="checkbox"/> <input type="checkbox"/> : <input type="checkbox"/> <input type="checkbox"/> i P o d <input type="checkbox"/> <input type="checkbox"/> <input type="checkbox"/> <input type="checkbox"/> : O K i P o d <input type="checkbox"/> <input type="checkbox"/> <input type="checkbox"/> <input type="checkbox"/> : N G i P o d <input type="checkbox"/> <input type="checkbox"/> <input type="checkbox"/> <input type="checkbox"/> : * *	iPod verification IC mount status display Blank: Verifying OK: Verification IC mounted NG: Verification IC not mounted *: Non-iPod support model
	All lights ON <input type="checkbox"/> <input type="checkbox"/> <input type="checkbox"/> <input type="checkbox"/> <input type="checkbox"/> <input type="checkbox"/> <input type="checkbox"/> <input type="checkbox"/> <input type="checkbox"/> <input type="checkbox"/> <input type="checkbox"/> <input type="checkbox"/>	All lights ON (Switch to other display)
5 (Toggle)	Preout switch S W P R E <input type="checkbox"/> R E A R <input type="checkbox"/> S W P R E <input type="checkbox"/> S U B - W	Switch Preout with toggle
6	FL display short check <input type="checkbox"/> <input type="checkbox"/> <input type="checkbox"/> <input type="checkbox"/> <input type="checkbox"/> <input type="checkbox"/> <input type="checkbox"/> <input type="checkbox"/> <input type="checkbox"/> <input type="checkbox"/> <input type="checkbox"/> <input type="checkbox"/>	All lights ON → All lights OFF → odd terminal and even terminal of the largest grid ON alternatively every 125ms → odd terminal ON → even terminal ON → (repeat continuously)
SOURCE transition	Mode release <input type="checkbox"/> <input type="checkbox"/> <input type="checkbox"/> <input type="checkbox"/> <input type="checkbox"/> <input type="checkbox"/> <input type="checkbox"/> <input type="checkbox"/> <input type="checkbox"/> <input type="checkbox"/> <input type="checkbox"/> <input type="checkbox"/>	Return to Normal mode
■RETURN	Mode release <input type="checkbox"/> <input type="checkbox"/> <input type="checkbox"/> <input type="checkbox"/> <input type="checkbox"/> <input type="checkbox"/> <input type="checkbox"/> <input type="checkbox"/> <input type="checkbox"/> <input type="checkbox"/> <input type="checkbox"/> <input type="checkbox"/>	Return to Normal mode

● Tuner Test Mode Specification

The following display shall be indicated according to the TUNER status.

Status	Display content	Details
TUNER IC Normal Error	T U N <input type="checkbox"/> C O N <input type="checkbox"/> N G <input type="checkbox"/>	Communication to TUNER IC not available (indicated unless the mode is in Clock Display Mode).

TEST MODE

Status	Display content	Details
Adjustment not implemented	* E R R * A 9 7 . 9 A	For models that TUNER adjustment is necessary but not done (adjustment value: 0x00 or 0xFF), the following TUNER Test Mode functions are valid (“*ERR*” display is continuing). Display “*ERR*” blinks with 250ms interval.
RDS Specified data reception	R D S T E S T	Turn OFF P-CON forcibly if PS=RDS TEST is received. P-CON recovers with Power OFF/ON.

◇ Operations

Operation	Display content	Details
ACCENT	TUNER IC display A T O M R D S	Display TUNER IC version
BAND	BAND switch operation F M 1 - 3 A 9 7 . 9 A	Execute Band Switch as shown in the following table every time Band key is pressed in each type.
SEARCH	S meter voltage judgment display S - M T R x x : O K S - M T R x x : N G S - M T R x x : - -	S meter value xx: Current S meter value Determination result OK: Within S meter voltage spec NG: Out of S meter voltage spec -- : No LEVEL OFFSET adjustment
■DISP	Shift to TUNER setting mode [] [] [] [] [] [] [] [] [] [] [] []	Shift to TUNER setting mode after switching to 98.3MHz SG setting values Frequency: 98.3MHz, Modulation frequency: 1kHz, Modulation mode: MONO, Modulation: OFF, Deviation: 40kHz, ANT input level: 34dBμV

◇ TUNER Setting Adjustment Mode

1. Operation (Operation after performance of above-mentioned “Shift to TUNER setting mode” item)

Operation	Display content	Details
■BAND (Toggle)	AUTO Adjustment Mode A [] S - x x L - x x	Select TUNER adjustment method (AUTO) using BAND key. S-xx: Current S meter value (Hex) L-xx: Level offset value (Hex) * In case that the level offset value is not adjusted (0xFF or 0x00), display “- -”.

2. Operation in AUTO Adjustment Mode

Operation	Display content	Details
VOL PUSH	Adjustment start A [] S - x x L - x x	Start adjustment (Start Auto adjustment, and transit to Success/Failure display depending on the adjustment result)

3. Status display during adjustment

Status	Display content	Details
Adjustment success	A D J O K : x x	When the adjustment value write-in to E2PROM (IC771 on X34) has been completed. xx: Level offset value (HEX)
Adjustment failure	A D J N G	When the adjustment value write-in to E2PROM (IC771 on X34) has failed

4. Operation of return to TUNER Test Mode

Operation	Display content	Details
RETURN	Mode release [] [] [] [] [] [] [] [] [] [] [] []	Return to TUNER Test Mode.

TEST MODE

● BAND switch list

Type	BAND1	BAND2	BAND3	BAND4	BAND5	BAND6	Details
K	①FM1	FM2	FM3	②AM	-	-	①→②→①...
M (LW)	①FM1	FM2	FM3	②MW/LW	-	-	①→②→①...
M/C	①FM1	FM2	FM3	②MW	③SW1	④SW2	①→②→③→④→①...

● CD Test Mode Specification

It shall be the same as normal RST start in other than the below setting.

Content	Details
Playback track from top	No.9
Default for Display mode	Play time

◇ Operations in CDDA playback

Operation	Display content	Details
▶▶	Special track up □ □ □ □ □ □ □ □ □ □ □ □	Pressed Track up depend on different cases. Case 1: Track>23 No.9→No.15→No.10→No.22→No.12→No.13→No.14→No.9 Case 2: Track<8 No.1→No.2→No.3→Until Last Track Case 3: 8<Track<22 No.9→No.15→No.10→Until Last Track
◀◀	Special track down □ □ □ □ □ □ □ □ □ □ □ □	One-by-one Track down by sequence follow Track No.
1 (Toggle)	HC1/2 Judgement Information Display C D □ □ □ □ □ □ □ □ H C 1 C D □ □ □ □ □ □ □ □ H C 2 C D □ □ □ □ □ □ □ □ - - -	HC1/2 Judgement Information. HC1: HC1 mecha (for this model) HC2: HC2 mecha -- -: Impossible of Judgement
	Normal Display T - 0 1 □ □ □ □ □ □ 1 : 2 3	Normal Display
3	Special jump operation □ □ □ □ □ □ □ □ □ □ □ □	Jump to No.28 (Scratch 0.7mm for MUSIC line vibration test)
4	Special jump operation □ □ □ □ □ □ □ □ □ □ □ □	Jump to No.14 (Damaged disc TCD-731RA Tr14)
5	Special jump operation □ □ □ □ □ □ □ □ □ □ □ □	Jump to No.15 Set Volume value at 26 (for error operation FCT check of 20Hz 0dB DC protection)
6	Special jump operation □ □ □ □ □ □ □ □ □ □ □ □	Jump to No.9 if the other than track No.9 is playing. Jump to No.22 if the track No.9 is playing.

5. Service Test Mode

● Default status immediately after the mode activation

It shall be same as the normal activation.

● Mode structure

Service Test Mode is enabled only STANDBY source.

● Mode content

Syscon shall display the following information after entering this mode. The operation shown below shall be workable.

Display content	Details
S R V □ T E S T □ □ □	The display is released when another operation is executed.

TEST MODE

● Common operation mode for only STANDBY sources

Operation	Display content	Details
1	Development name status display 1 0 0 3 W E 2 - 2 0 0	Development name – Version (Micom)
3	Power ON duration display P O N T M 0 H x x	00~50 are displayed in “xx”. For less than 1 hour, the display is indicated per 10 minutes.
	P O N T M x x x x x	00001~10922 are displayed in “xxxxx”. MAX 10922 (hours)
4	Disc action duration display C D T M 0 H x x	0~50 are displayed in “xx”. For less than 1 hour, the display is indicated per 10 minutes.
	C D T M x x x x x	00001~10922 are displayed in “xxxxx”. MAX 10922 (hours)
5	Disc Eject number of times display E J C N T x x x x x	Display Disc Eject number of times. MAX 65535 (times)
■5	Disc Eject number of times clear □ □ □ □ □ □ □ □ □ □	Clear Disc Eject number of times by pressing for 2 seconds when it is displayed.
⏪	Forced Power OFF information display P O F F - - - □ □ □	No forced Power OFF
	P O F F P N L □ □ □	Forced Power OFF due to Syscon-Panel communication error.
■⏪	Forced Power OFF info clear □ □ □ □ □ □ □ □ □ □	Clear forced Power OFF information by pressing for 2 seconds when it is displayed.

● CD Error Information Display Mode

Operation	Display content	Details	
DISP	CD error information display mode	Transit to CD error information display mode.	
Move between BAND (Forward search) items with ⏪/⏩	CD Mech error log display M E C H A E R # : x x	Mech error history 1,2,3 (latest) #: History No. (1,2,3) xx: numbers of errors, “--” when there is none	
	CD Load error info display L O A D E R # : x x	Load error switch 1,2 #: Switch No. (1,2) xx: numbers of errors, “--” when there is none	
	CD Eject error info display E J E C T E R # : x x	Eject error switch 1,2,3,4 #: Switch No. (1,2,3,4) xx: numbers of errors, “--” when there is none	
	CD time code error count information display (count skip)	C N T L O S E □ □ □	CD time code error count information (count skip) mode display
		C D D A □ □ □ □ : x x	CD-DA error count numbers xx: numbers of errors and “--” when there is none
		C D R O M □ □ □ □ : x x	CD-ROM (compressed file) error count numbers xx: numbers of errors and “--” when there is none
	CD time code error count information display (no count update)	C N T S T A Y □ □ □	CD time code error count information (count not updated) mode display
		C D D A □ □ □ □ : x x	CD-DA error count numbers xx: numbers of errors and “--” when there is none
		C D R O M □ □ □ □ : x x	CD-ROM (compressed file) error count numbers xx: numbers of errors and “--” when there is none

TEST MODE

Operation	Display content		Details
■DISP	CD error information clear		CD error information all clear
DISP	Mode release		CD error information display mode release

6. DC Error Information Mode

● Default status immediately after the mode activation

It shall be same as normal activation.

● Mode structure

DC Error Info Mode is enabled regardless of current source.

● Mode content

Syscon shall display the following information after entering this mode. The operation shown below shall be workable.

Display content	Details
D C □ □ E R R □ □ □ □ □	When DC error is detected (in case that one of capacitor leakage, wrong connection or other detection is found)
D C □ □ O K □ □ □ □ □ □	When DC error is not detected (in case that none of capacitor leakage, wrong connection or other detection is not found)

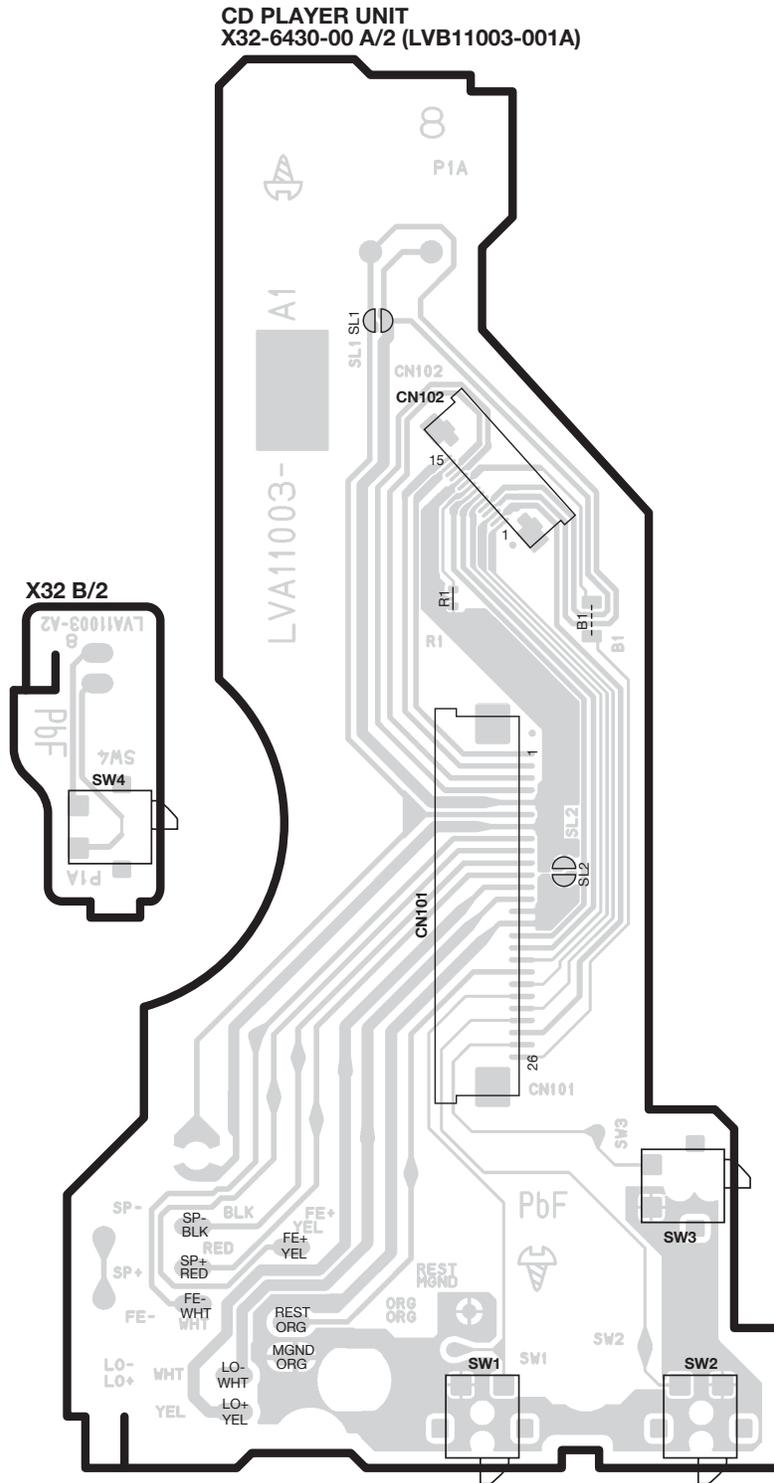
● Mode operation specification

Operation	Display content		Details
1	DC ERR1 display	D C 1 □ E R R □ □ □ □ □	When wrong connection & DC error in other detection duration is detected
		D C 1 □ O K □ □ □ □ □ □	When wrong connection & DC error in other detection duration is not detected
■1	DC ERR1 clear	D C 1 □ O K □ □ □ □ □ □	Clear detection information when wrong connection & DC error in other detection duration is displayed. (Clear data flash)
2	DC ERR2 display	D C 2 □ 4 □ □ □ □ □ □ □	Display detecting number of times in capacitor leakage detection duration (0~4)
		D C 2 □ 0 □ □ □ □ □ □ □ □	Clear number of times for detection information in capacitor leakage detection duration. (Clear data flash)

7. FM/AM channel space switching

Procedure	Note
While Power OFF, pressing and holding [1] key and [5] key, and press [SRC] key to Power ON.	FM200kHz/AM10kHz ↔ FM50kHz/AM9kHz

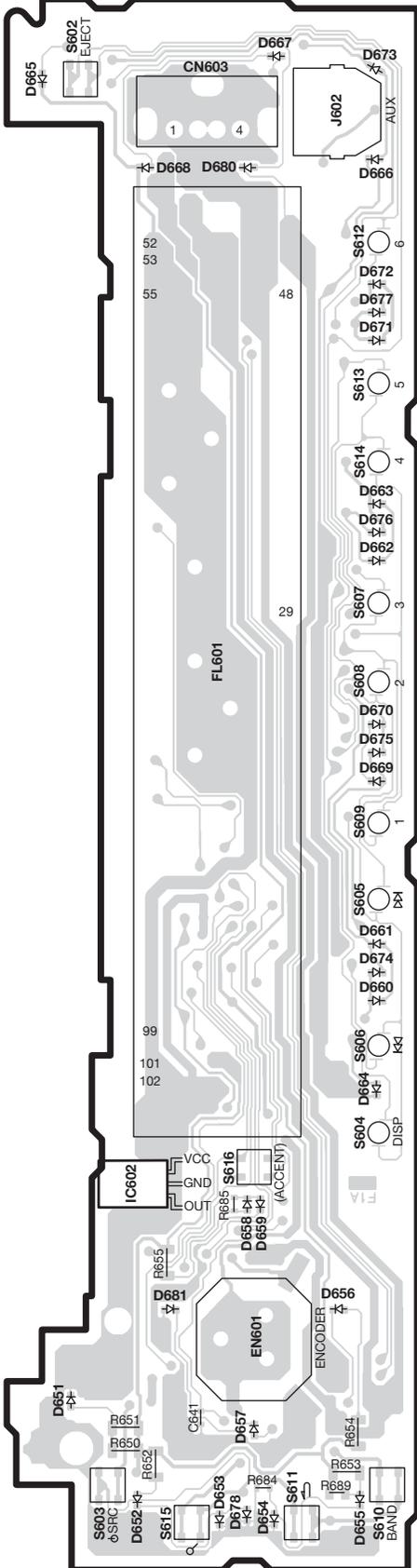
PC BOARD (FOIL SIDE VIEW)



Refer to the schematic diagram for the values of resistors and capacitors.

PC BOARD (COMPONENT SIDE VIEW)

SWITCH UNIT
 X16-705x-xx (GEB10302-001A)

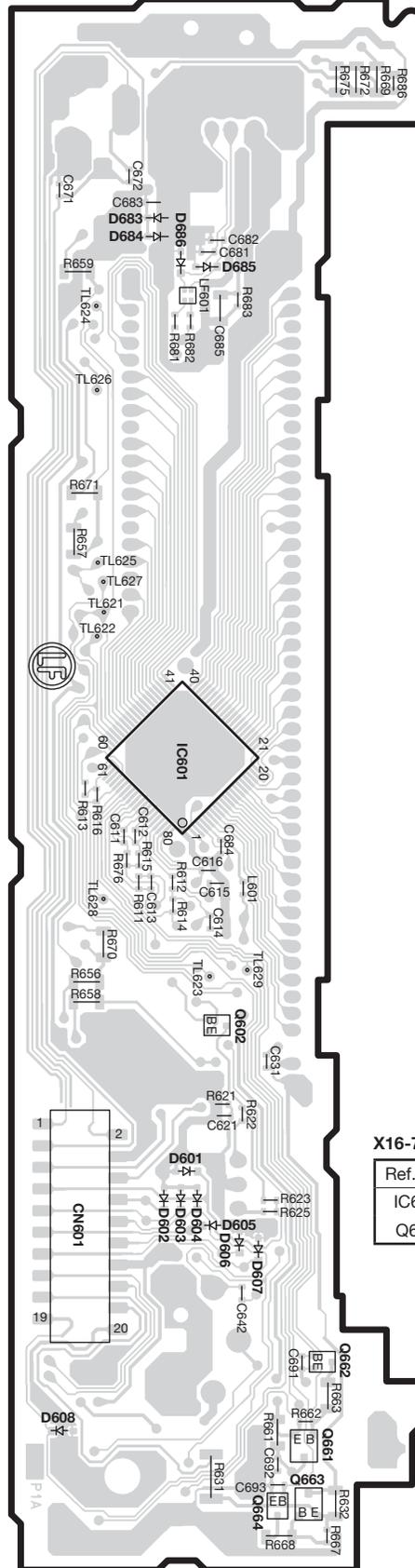


X16-705x-xx

Ref. No.	Address
IC602	6P

(FOIL SIDE VIEW)

SWITCH UNIT
 X16-705x-xx (GEB10302-001A)



X16-705x-xx

Ref. No.	Address
IC601	4S
Q602	5S

Refer to the schematic diagram for the values of resistors and capacitors.

1

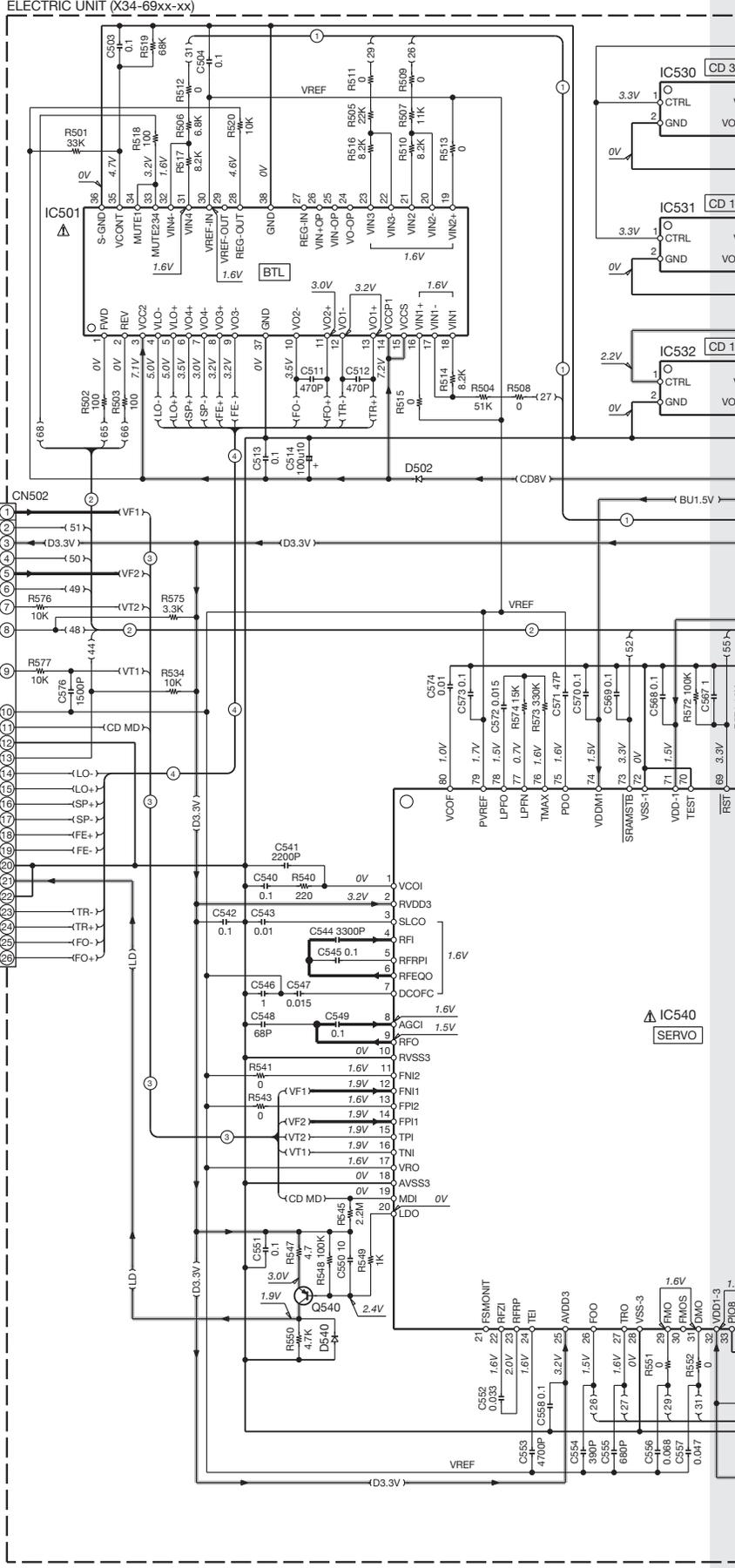
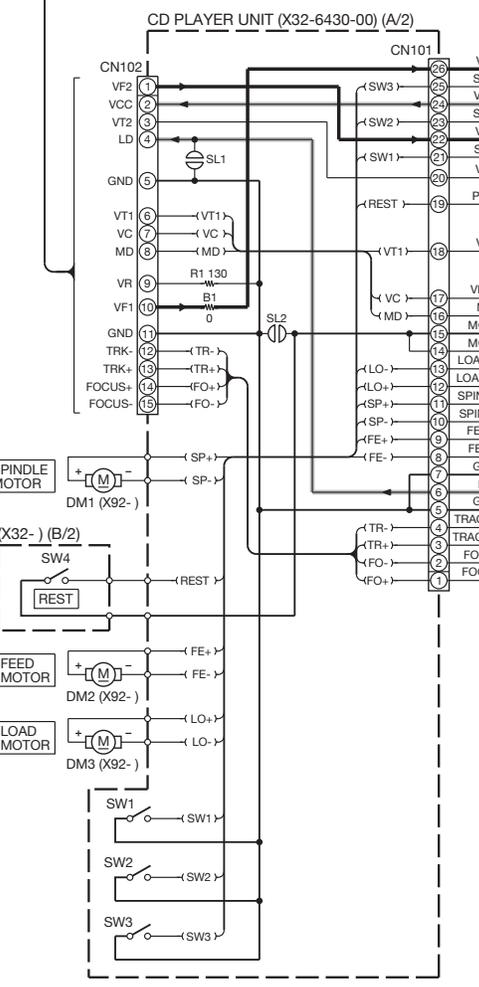
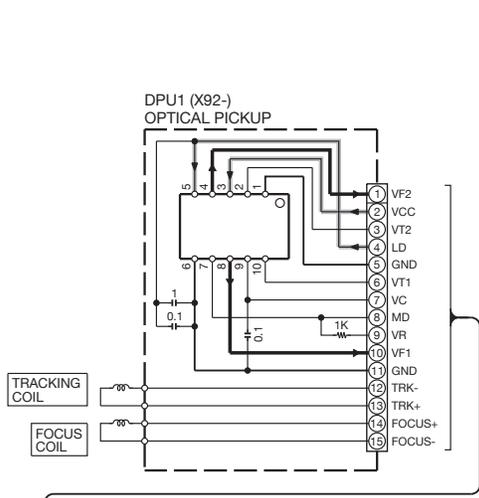
2

3

4

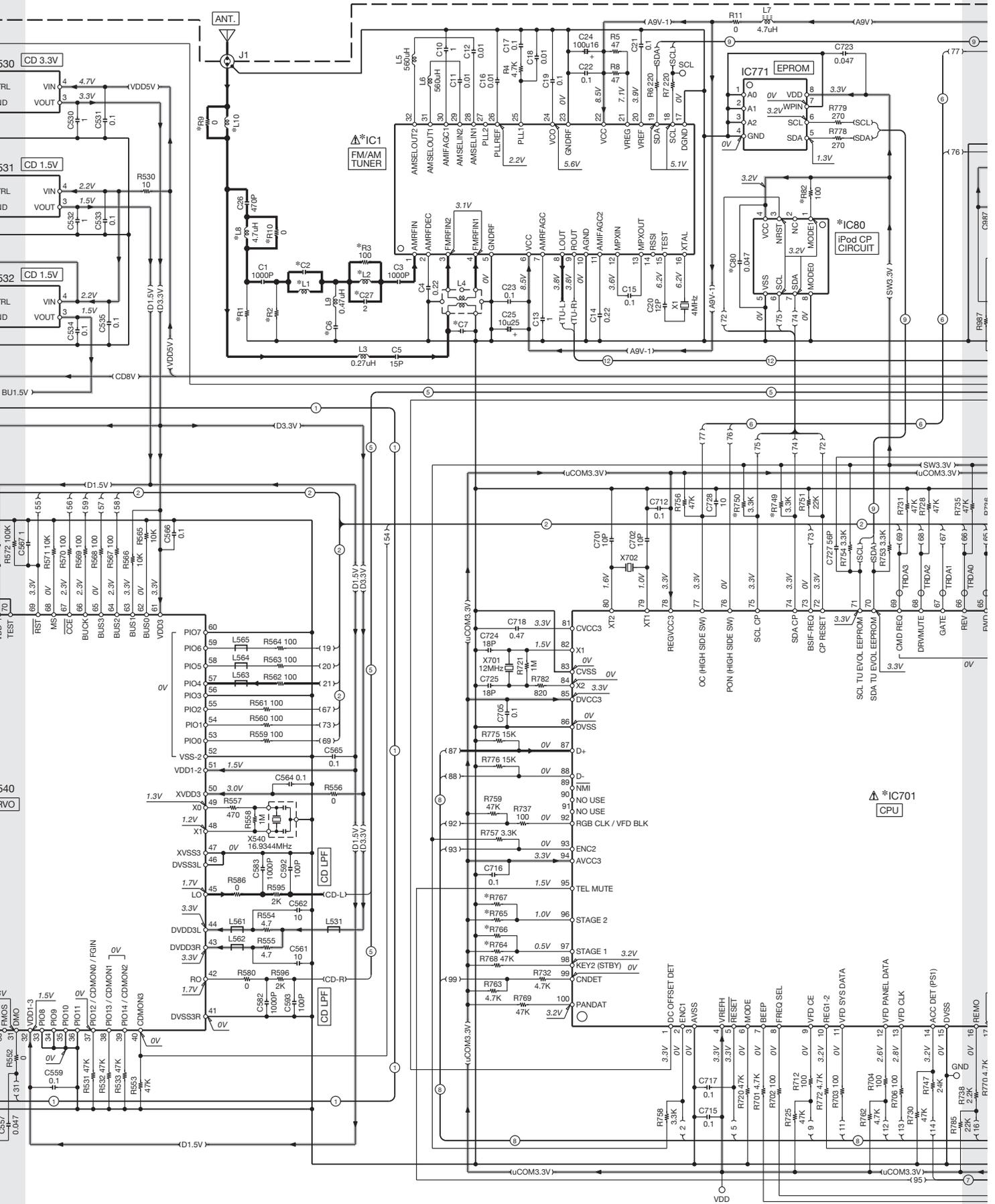
5

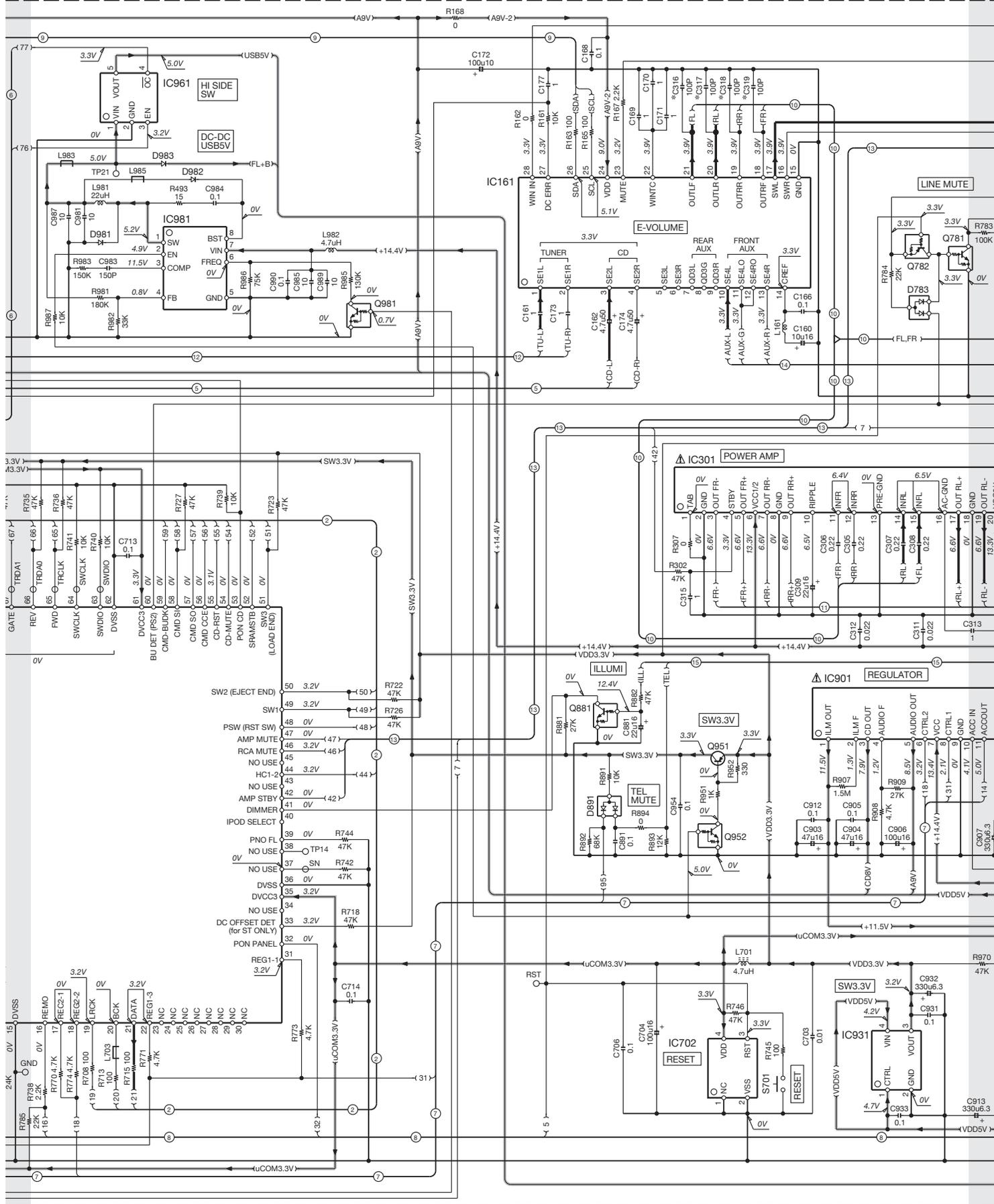
6



CAUTION : For continued safety, replace safety critical components only with manufacturer's recommended parts (refer to parts list).
 ▲Indicates safety critical components. To reduce the risk of electric shock, leakage-current or resistance measurements shall be carried out (exposed parts are acceptably insulated from the supply circuit) before the appliance is returned to the customer.

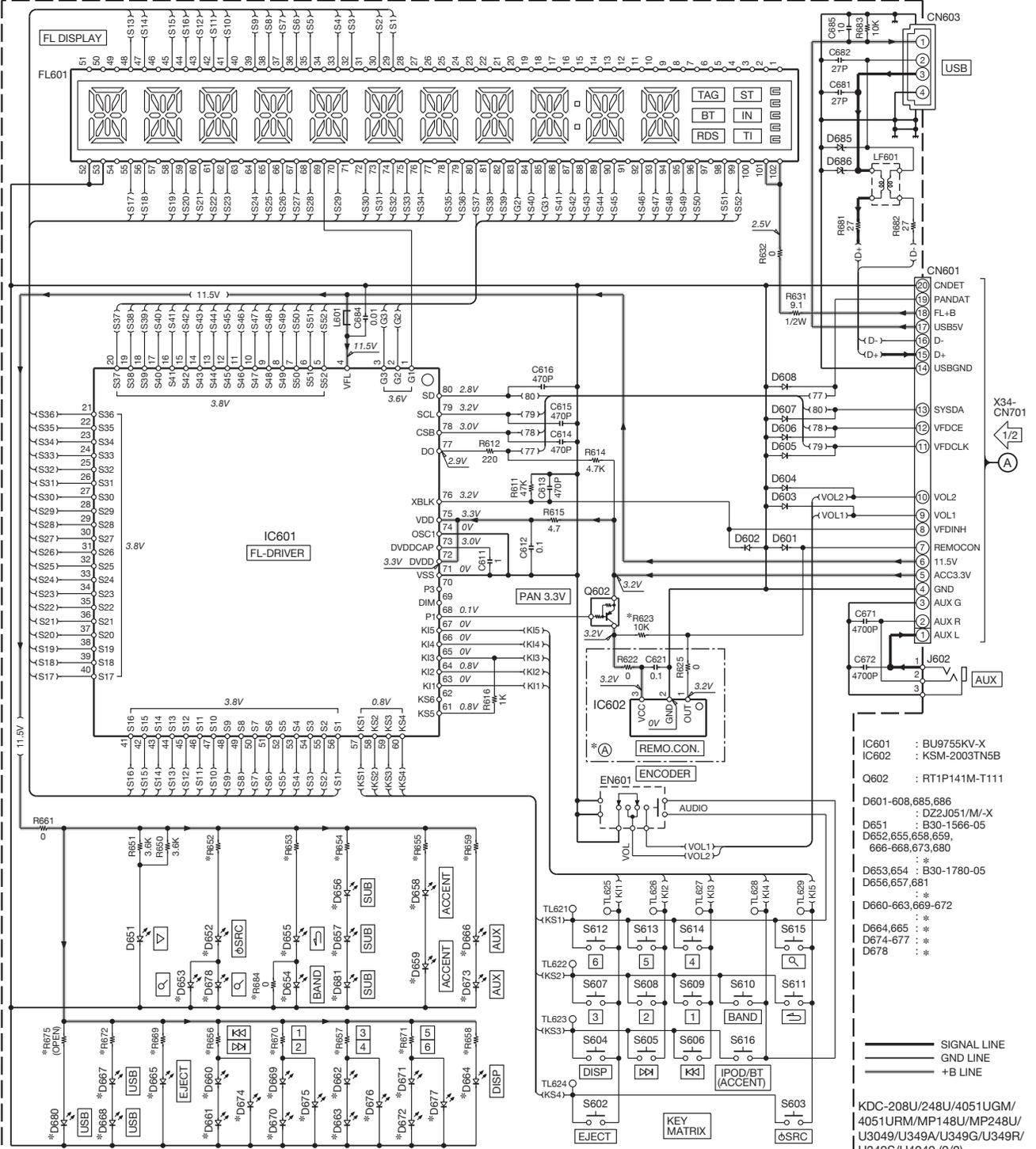
- DC voltages are as measured with a high impedance voltmeter. Values may vary slightly due to variations between individual instruments or/and units.





SWITCH UNIT (X16-705x-xx)

KDC-208U/248U/4051UGM/4051URM/MP148U/MP248U
KDC-U3049/U349A/U349G/U349R/U349S/U4049



- IC601 : BU9755KV-X
- IC602 : KSM-2003TN5B
- Q602 : RT1P141M-T111
- D601-608,685,686 : DZ2J051/M-X
- D651 : B30-1566-05
- D652,655,658,659,666-668,673,680 : B30-1780-05
- D653,654 : B30-1780-05
- D656,657,681 : B30-1779-05
- D660-663,669-672 : B30-1794-05
- D664,665 : B30-1794-05
- D674-677 : B30-1779-05
- D678 : B30-1779-05
- D682 : B30-1779-05
- D683 : B30-1779-05
- D684 : B30-1779-05
- D685 : B30-1779-05
- D686 : B30-1779-05

— SIGNAL LINE
— GND LINE
— +B LINE

KDC-208U/248U/4051UGM/
4051URM/MP148U/MP248U/
U3049/U349A/U349G/U349R/
U349S/U4049 (2/2)

(X16-705x-xx)

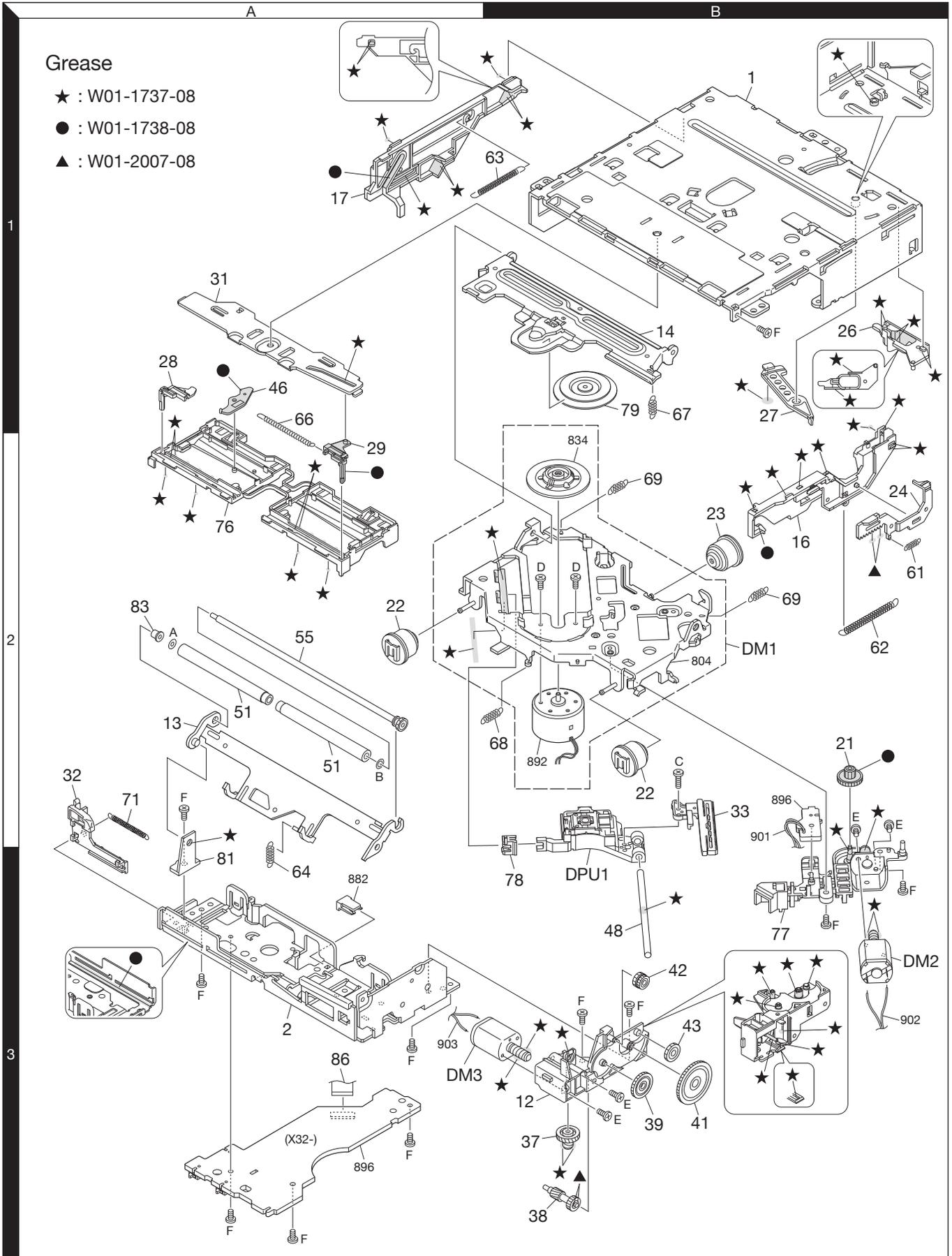
MODEL NAME	UNIT No.	DESTINATION	(A)	D652,655,658,659,666-668,673,680	D653,654	D656,657,681	D660-663,669-672	D664,665	D674-677	D678	R623	R652	R653	R654	R655	R656,657,671	R658	R659	R669	R670	R672	R684
U363	J1	0-01	YES	KLB-16B-X	—	KLB-16B-X	SML-D12M8W-X	SML-D12M8W-X	—	KLB-16B-X	—	1K	1.6K	—	1.6K	470	560	560	1K	470	1.6K	YES
U363E	J3	0-22	YES	B30-1780-05	—	B30-1780-05	B30-1780-05	—	YES	470	910	330	470	470	470	470	470	470	470	470	470	—
U363R	J2	0-10	YES	B30-1779-05	—	—	—	B30-1779-05	B30-1779-05	B30-1779-05	YES	560	750	—	1.5K	750	750	560	560	910	560	YES
KDC-208U	K3	—	—	—	—	—	—	—	—	—	—	—	—	—	—	—	—	—	—	—	—	—
KDC-248U	K	—	—	—	—	—	—	—	—	—	—	—	—	—	—	—	—	—	—	—	—	—
KDC-MP148U	K2	—	—	—	—	—	—	—	—	—	—	—	—	—	—	—	—	—	—	—	—	—
KDC-MP248U	K1	0-10	YES	B30-1779-05	—	—	—	B30-1779-05	B30-1779-05	B30-1779-05	YES	560	750	—	1.5K	750	750	560	560	910	560	YES
KDC-4051UGM	M6	0-22	YES	B30-1780-05	—	B30-1780-05	B30-1780-05	B30-1780-05	B30-1779-05	B30-1779-05	YES	470	910	330	470	470	470	470	470	470	470	—
KDC-4051URM	M5	0-10	YES	B30-1779-05	—	—	—	—	B30-1779-05	B30-1779-05	YES	560	750	—	1.5K	750	750	560	560	910	560	YES
KDC-U3049	M	0-22	YES	B30-1780-05	—	B30-1780-05	B30-1780-05	B30-1780-05	—	—	YES	470	910	330	470	470	470	470	470	470	470	—
KDC-U349A	M4	0-21	YES	B30-1794-05	—	—	—	B30-1794-05	B30-1794-05	B30-1794-05	YES	820	1K	—	1.5K	1K	1K	820	1K	1K	820	YES
KDC-U349G	M3	0-22	YES	B30-1780-05	—	B30-1780-05	B30-1780-05	B30-1780-05	—	—	YES	470	910	330	470	470	470	470	470	470	470	—
KDC-U349R/S	M1/M2	0-10	YES	B30-1779-05	—	—	—	B30-1779-05	B30-1779-05	B30-1779-05	YES	560	750	—	1.5K	750	750	560	560	910	560	YES
KDC-U4049	C1	0-22	YES	B30-1780-05	—	B30-1780-05	B30-1780-05	B30-1780-05	—	—	YES	470	910	330	470	470	470	470	470	470	470	—
KDC-4051UG	E2	2-73	—	B30-1780-05	—	B30-1780-05	B30-1780-05	B30-1780-05	—	—	YES	470	910	330	470	470	470	470	470	470	470	—
KDC-4051UR/URY	E3/E6	—	—	B30-1779-05	—	—	—	B30-1779-05	B30-1779-05	B30-1779-05	YES	750	750	—	1.5K	750	750	390	560	750	750	YES
KDC-415UA	E1	2-72	—	B30-1794-05	—	B30-1794-05	—	B30-1794-05	B30-1794-05	B30-1794-05	YES	820	1K	—	1.5K	1K	1K	820	1K	1K	820	YES
KDC-415UR	E4	—	—	—	—	—	—	—	—	—	—	—	—	—	—	—	—	—	—	—	—	
KDC-4251URY	E5	2-71	—	B30-1779-05	—	—	—	B30-1779-05	B30-1779-05	B30-1779-05	YES	750	750	—	1.5K	750	750	390	560	750	750	YES
KDC-4451UQ	E7	2-73	—	B30-1780-05	—	B30-1780-05	B30-1780-05	B30-1780-05	—	—	YES	470	910	330	470	470	470	470	470	470	470	—

CAUTION : For continued safety, replace safety critical components only with manufacturer's recommended parts (refer to parts list).
 △ Indicates safety critical components. To reduce the risk of electric shock, leakage-current or resistance measurements shall be carried out (exposed parts are acceptably insulated from the supply circuit) before the appliance is returned to the customer.
 • DC voltages are as measured with a high impedance voltmeter.
 Values may vary slightly due to variations between individual instruments or/and units.

EXPLODED VIEW (CD MECHANISM)

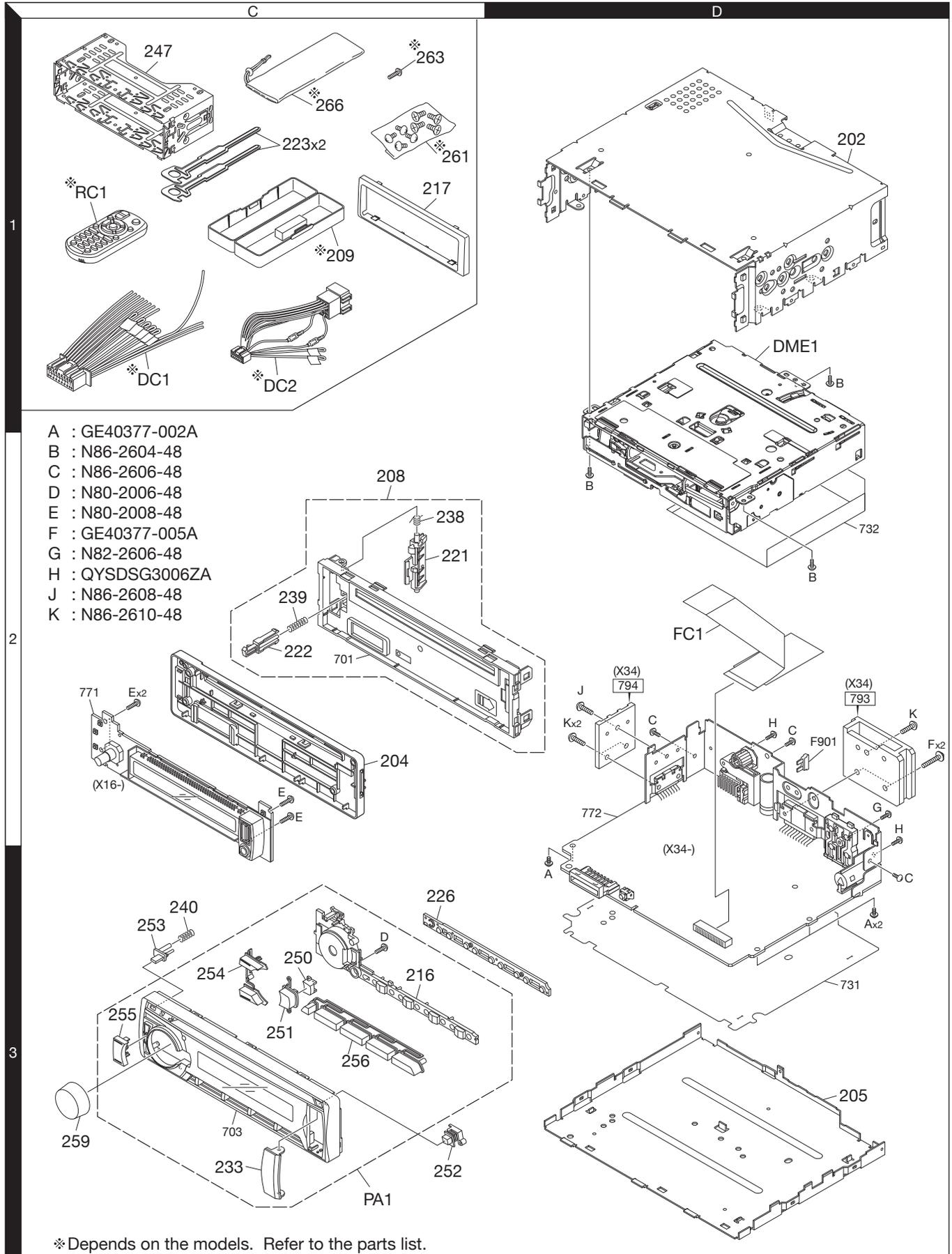
Grease

- ★ : W01-1737-08
- : W01-1738-08
- ▲ : W01-2007-08



Parts with the exploded numbers larger than 700 are not supplied.

EXPLODED VIEW (UNIT)



PARTS LIST

* New parts
 Parts without **Parts No.** are not supplied.
 Les articles non mentionnés dans le **Parts No.** ne sont pas fournis.
 Teile ohne **Parts No.** werden nicht geliefert.

Ref. No.	A d d	N e w	Parts No.	Description	Desti- nation
KDC-208U/248U/4051Uxx/MP148U/MP248U/U3049/U349x/U4049					
202	1D		GE10283-001A	TOP CHASSIS	
204	2C		GE10286-001A	REAR COVER	
205	3D	*	GE20271-002A	BOTTOM COVER	
208	2C		GE34074-001A	FRONT CHASSIS ASSY	
209	1C		A02-2757-13	HARD CASE ASSY	MM1M2
209	1C		A02-2757-13	HARD CASE ASSY	M3M4
PA1	3C	*	GE20277-006A	PANEL ASSY	M2
PA1	3C	*	GE20277-017A	PANEL ASSY	K1
PA1	3C	*	GE20277-019A	PANEL ASSY	M1M3M4
PA1	3C	*	GE20280-002A	PANEL ASSY	K2
PA1	3C	*	GE20280-010A	PANEL ASSY	M
PA1	3C	*	GE20280-012A	PANEL ASSY	M5M6
PA1	3C	*	GE20280-014A	PANEL ASSY	K3
PA1	3C	*	GE20280-019A	PANEL ASSY	C1
PA1	3C	*	GE20280-020A	PANEL ASSY	K
RC1	1C		A70-2104-05	REMOTE CONTROL UNIT (RC-405)	KK1K2M
RC1	1C		A70-2104-05	REMOTE CONTROL UNIT (RC-405)	M1M2M3
RC1	1C		A70-2104-05	REMOTE CONTROL UNIT (RC-405)	M4
-		*	GET0687-001A	INSTRUCTION BOOK (ENG.FRE.SPA.)	KK1K2
-		*	GET0687-001A	INSTRUCTION BOOK (ENG.FRE.SPA.)	K3
-		*	GET0687-002A	INSTALL MANUAL (ENG.FRE.SPA.)	KK1K2
-		*	GET0687-002A	INSTALL MANUAL (ENG.FRE.SPA.)	K3
-		*	GET0691-001A	INSTRUCTION BOOK (ENGLISH)	MM1M2
-		*	GET0691-001A	INSTRUCTION BOOK (ENGLISH)	M3M4M5
-		*	GET0691-001A	INSTRUCTION BOOK (ENGLISH)	M6
-		*	GET0691-002A	INSTRUCTION BOOK (ARABIC)	MM1M2
-		*	GET0691-002A	INSTRUCTION BOOK (ARABIC)	M3M4
-		*	GET0693-001A	INSTRUCTION BOOK (S-CHINESE)	C1
216	3C	*	GE10289-001A	LIGHT GUIDE	
217	1C		GE20274-001A	TRIM PLATE	
221	2C		GE34045-001A	LOCK LEVER	
222	2C		GE34046-001A	RELEASE LEVER	
223	1C		GE40510-001A	HOOK	
226	3C		GE34058-001A	CONDUCTIVE RUBBER	
DC1	1C		E30-6798-05	CAR CABLE	KK1K2
DC1	1C		E30-6798-05	CAR CABLE	K3M
DC1	1C		E30-6933-05	CAR CABLE	M1M2M3
DC1	1C		E30-6933-05	CAR CABLE	M4C1
DC2	1C		E30-6937-05	CAR CABLE	M5M6
FC1	2D	*	WJT0254-001A-E	E-CARD WIRE	
233	3C	*	GE34055-001A	USB DOOR COVER	
F901	2D		F52-0023-05	FUSE (10A)	
238	2C		GE40504-001A	SPRING (TORSION)	
239	2C		GE40505-001A	SPRING (COMPRESSION)	
240	3C		GE40505-002A	SPRING (DETACH)	
-		*	GE34198-001A	INNER CARTON	K
-		*	GE34200-001A	INNER CARTON	K3
-		*	GE34202-001A	INNER CARTON	K1
-		*	GE34204-001A	INNER CARTON	K2
-		*	GE34226-001A	INNER CARTON	M1

Ref. No.	A d d	N e w	Parts No.	Description	Desti- nation
-		*	GE34228-001A	INNER CARTON	M3
-		*	GE34230-001A	INNER CARTON	M4
-		*	GE34232-001A	INNER CARTON	M2
-		*	GE34234-001A	INNER CARTON	M
-		*	GE34240-001A	INNER CARTON	M5
-		*	GE34242-001A	INNER CARTON	M6
-		*	GE34244-001A	INNER CARTON	C1
247	1C		GE34134-001A	MOUNTING SLEEVE ASSY	
250	3C	*	GE34053-001A	ACCENT BUTTON BASE	
251	3C	*	GE34052-001A	ACCENT BUTTON TOP (iPod)	KK1
251	3C	*	GE34052-002A	ACCENT BUTTON TOP (RANDOM)	C1
251	3C	*	GE34052-002A	ACCENT BUTTON TOP (RANDOM)	K2K3M
251	3C	*	GE34052-002A	ACCENT BUTTON TOP (RANDOM)	M1M2M3
251	3C	*	GE34052-002A	ACCENT BUTTON TOP (RANDOM)	M4M5M6
252	3C		GE34059-001A	EJECT BUTTON	
253	3C		GE34060-001A	DETACH BUTTON	
254	3C		GE34061-001A	SRC BUTTON	
255	3C		GE34063-001A	SEARCH BUTTON	
256	3C		GE34064-001A	PRESET BUTTON	
259	3C		GE40502-001A	VOL KNOB RUBBER	KK2K3
259	3C		GE40511-001A	VOL KNOB RUBBER	K1MM1
259	3C		GE40511-001A	VOL KNOB RUBBER	M2M3M4
259	3C		GE40511-001A	VOL KNOB RUBBER	M5M6C1
261	1C		N99-1757-15	SCREW SET	C1
261	1C		N99-1757-15	SCREW SET	KK1K2
261	1C		N99-1757-15	SCREW SET	K3MM1
261	1C		N99-1757-15	SCREW SET	M2M3M4
263	1C		N80-2008-43	TAP SCREW (ACCESSORY)	C1
263	1C		N80-2008-43	TAP SCREW (ACCESSORY)	KK1K2
263	1C		N80-2008-43	TAP SCREW (ACCESSORY)	K3MM1
A	3D		GE40377-002A	SPECIAL SCREW	M2M3M4
B	2D		N86-2604-48	TAP SCREW	
C	2D		N86-2606-48	TAP SCREW	
D	3C		N80-2006-48	TAP SCREW	
E	2C		N80-2008-48	TAP SCREW	
266	1C		W01-1710-05	CARRYING CASE	KK1K2
266	1C		W01-1710-05	CARRYING CASE	K3M5M6
DME1	1D		X92-6630-00	MECHANISM ASSY (HCS-1000W)	
SWITCH UNIT (X16-705x-xx)					
D651			B30-1566-05	LED	
D652			B30-1779-05	LED	KK1K2
D652			B30-1779-05	LED	K3M1M2
D652			B30-1779-05	LED	M5
D652			B30-1794-05	LED	M4
D652-673			B30-1780-05	LED	C1
D652-673			B30-1780-05	LED	MM3M6
D655			B30-1779-05	LED	KK1K2
D655			B30-1779-05	LED	K3M1M2
D655			B30-1779-05	LED	M5
D655			B30-1794-05	LED	M4
D658,659			B30-1779-05	LED	KK1K2

K: KDC-248U K1: KDC-MP248U K2: KDC-MP148U K3: KDC-208U
 M: KDC-U3049 M1: KDC-U349R M2: KDC-U349S M3: KDC-U349G
 M4: KDC-U349A M5: KDC-4051URM M6: KDC-4051UGM C1: KDC-U4049

△ Indicates safety critical components.

PARTS LIST

SWITCH UNIT (X16-705x-xx)

Ref. No.	Add	New	Parts No.	Description	Destination
D658,659			B30-1779-05	LED	K3M1M2
D658,659			B30-1779-05	LED	M5
D658,659			B30-1794-05	LED	M4
D664-668			B30-1779-05	LED	KK1K2
D664-668			B30-1779-05	LED	K3M1M2
D664-668			B30-1779-05	LED	M5
D664-668			B30-1794-05	LED	M4
D673-678			B30-1779-05	LED	KK1K2
D673-678			B30-1779-05	LED	K3M1M2
D673-678			B30-1779-05	LED	M5
D673-678			B30-1794-05	LED	M4
D680			B30-1779-05	LED	KK1K2
D680			B30-1779-05	LED	K3M1M2
D680			B30-1779-05	LED	M5
D680			B30-1794-05	LED	M4
D680,681			B30-1780-05	LED	C1
D680,681			B30-1780-05	LED	MM3M6
C611			CK73GB0J105K	CHIP C 1.0UF K	
C612			CK73GB1C104K	CHIP C 0.10UF K	
C613-616			CK73GB1H471K	CHIP C 470PF K	
C621			CK73GB1C104K	CHIP C 0.10UF K	
C671,672			CK73GB1H472K	CHIP C 4700PF K	
C681,682			CC73GCH1H270J	CHIP C 27PF J	
C684			CK73GB1H103K	CHIP C 0.010UF K	
C685			NCJ11EK-106X-R	C CAPACITOR	
CN601			E59-0859-05	TDF CONNECTOR	
CN603	*		QNZ1057-001	USB CONNECTOR	
J602	*		QNS0308-001	DIA 3.5 TYPE JACK	
L601			L92-0879-05	FERRITE BEADS	
LF601	*		NQR0536-001X	CHOKE COIL	
R611			RK73GB2A473J	CHIP R 47K J 1/10W	
R612			RK73GB2A221J	CHIP R 220 J 1/10W	
R614			RK73GB2A472J	CHIP R 4.7K J 1/10W	
R615			RK73GB2A4R7J	CHIP R 4.7 J 1/10W	
R616			RK73GB2A102J	CHIP R 1.0K J 1/10W	
R622			RK73GB2A000J	CHIP R 0.0 J 1/10W	
R623			RK73GB2A103J	CHIP R 10K J 1/10W	
R625			RK73GB2A000J	CHIP R 0.0 J 1/10W	
R631			NRS125J-9R1X	MG RESISTOR	
R632			RK73EB2E000J	CHIP R 0.0 J 1/4W	
R650,651			RK73EB2E362J	CHIP R 3.6K J 1/4W	C1
R652			RK73EB2E471J	CHIP R 470 J 1/4W	MM3M6
R652			RK73EB2E471J	CHIP R 470 J 1/4W	KK1K2
R652			RK73EB2E561J	CHIP R 560 J 1/4W	K3M1M2
R652			RK73EB2E561J	CHIP R 560 J 1/4W	
R652			RK73EB2E561J	CHIP R 560 J 1/4W	M5
R652			RK73EB2E821J	CHIP R 820 J 1/4W	M4
R653			RK73EB2E102J	CHIP R 1.0K J 1/4W	M4
R653			RK73EB2E751J	CHIP R 750 J 1/4W	KK1K2
R653			RK73EB2E751J	CHIP R 750 J 1/4W	K3M1M2
R653			RK73EB2E751J	CHIP R 750 J 1/4W	
R653			RK73EB2E751J	CHIP R 750 J 1/4W	M5
R653			RK73EB2E911J	CHIP R 910 J 1/4W	C1
R653			RK73EB2E911J	CHIP R 910 J 1/4W	MM3M6

Ref. No.	Add	New	Parts No.	Description	Destination
R654			RK73EB2E331J	CHIP R 330 J 1/4W	C1
R654			RK73EB2E331J	CHIP R 330 J 1/4W	MM3M6
R655			RK73EB2E152J	CHIP R 1.5K J 1/4W	KK1K2
R655			RK73EB2E152J	CHIP R 1.5K J 1/4W	K3M1M2
R655			RK73EB2E152J	CHIP R 1.5K J 1/4W	M4M5
R655-659			RK73EB2E471J	CHIP R 470 J 1/4W	C1
R655-659			RK73EB2E471J	CHIP R 470 J 1/4W	MM3M6
R656-658			RK73EB2E102J	CHIP R 1.0K J 1/4W	M4
R656-658			RK73EB2E751J	CHIP R 750 J 1/4W	KK1K2
R656-658			RK73EB2E751J	CHIP R 750 J 1/4W	K3M1M2
R656-658			RK73EB2E751J	CHIP R 750 J 1/4W	
R656-658			RK73EB2E751J	CHIP R 750 J 1/4W	M5
R659			RK73EB2E561J	CHIP R 560 J 1/4W	KK1K2
R659			RK73EB2E561J	CHIP R 560 J 1/4W	K3M1M2
R659			RK73EB2E561J	CHIP R 560 J 1/4W	M5
R659			RK73EB2E821J	CHIP R 820 J 1/4W	M4
R661			RK73EB2E000J	CHIP R 0.0 J 1/4W	
R669			RK73EB2E561J	CHIP R 560 J 1/4W	KK1K2
R669			RK73EB2E561J	CHIP R 560 J 1/4W	K3M1M2
R669			RK73EB2E561J	CHIP R 560 J 1/4W	M5
R669-671			RK73EB2E102J	CHIP R 1.0K J 1/4W	M4
R669-672			RK73EB2E471J	CHIP R 470 J 1/4W	C1
R669-672			RK73EB2E471J	CHIP R 470 J 1/4W	MM3M6
R670			RK73EB2E911J	CHIP R 910 J 1/4W	KK1K2
R670			RK73EB2E911J	CHIP R 910 J 1/4W	K3M1M2
R670			RK73EB2E911J	CHIP R 910 J 1/4W	M5
R671			RK73EB2E751J	CHIP R 750 J 1/4W	KK1K2
R671			RK73EB2E751J	CHIP R 750 J 1/4W	K3M1M2
R671			RK73EB2E751J	CHIP R 750 J 1/4W	M5
R672			RK73EB2E561J	CHIP R 560 J 1/4W	KK1K2
R672			RK73EB2E561J	CHIP R 560 J 1/4W	K3M1M2
R672			RK73EB2E561J	CHIP R 560 J 1/4W	
R672			RK73EB2E561J	CHIP R 560 J 1/4W	M5
R672			RK73EB2E821J	CHIP R 820 J 1/4W	M4
R681,682			RK73GB2A270J	CHIP R 27 J 1/10W	
R683			RK73GB2A103J	CHIP R 10K J 1/10W	
R684			RK73GB2A000J	CHIP R 0.0 J 1/10W	KK1K2
R684			RK73GB2A000J	CHIP R 0.0 J 1/10W	K3M1M2
R684			RK73GB2A000J	CHIP R 0.0 J 1/10W	M4M5
S602,603			NSW0326-001X	TACT SWITCH	
S610,611			NSW0326-001X	TACT SWITCH	
S615,616			NSW0326-001X	TACT SWITCH	
EN601			QSW1288-001	ROTARY ENCODER	
D601-608			DZ2J051/M/-X	ZENER DIODE	
D685,686			DZ2J051/M/-X	ZENER DIODE	
FL601			3-BT-267N	FLUORESCENT INDICATOR TUBE	
IC601			BU9755KV-X	MOS-IC	
IC602			KSM-2003TN5B	ANALOGUE IC	
Q602			RT1P141M-T111	D TRANSISTOR	
CD PLAYER UNIT (X32-6430-00) IN CD MECHA					
CN101			QGF1049F1-26X	CONNECTOR	
CN102			QGF0522F3-15W	CONNECTOR	
B1			RK73EB2E000J	CHIP R 0.0 J 1/4W	
R1			RK73GB2A131J	CHIP R 130 J 1/10W	

K: KDC-248U K1: KDC-MP248U K2: KDC-MP148U K3: KDC-208U
M: KDC-U3049 M1: KDC-U349R M2: KDC-U349S M3: KDC-U349G
M4: KDC-U349A M5: KDC-4051URM M6: KDC-4051UGM C1: KDC-U4049

△ Indicates safety critical components.

PARTS LIST

CD PLAYER UNIT (X32-6430-00) IN CD MECHA

Ref. No.	Add	New	Parts No.	Description	Destination
SW1 -4			NSW0291-001X	DETECT SWITCH	
ELECTRIC UNIT (X34-69xx-xx)					
C1			CK73GB1H102K	CHIP C 1000PF K	
C2			CC73GCH1H040C	CHIP C 4.0PF C	MM1M2
C2			CC73GCH1H040C	CHIP C 4.0PF C	M3M4C1
C2			CC73GCH1H070D	CHIP C 7.0PF D	KK1K2
C2			CC73GCH1H070D	CHIP C 7.0PF D	K3M5M6
C3			CK73GB1H102K	CHIP C 1000PF K	
C4			CK73GB1C224K	CHIP C 0.22UF K	
C5			CC73GCH1H150J	CHIP C 15PF J	
C6			CC73GCH1H040C	CHIP C 4.0PF C	MM1M2
C6			CC73GCH1H040C	CHIP C 4.0PF C	M3M4C1
C6			CC73GCH1H060D	CHIP C 6.0PF D	KK1K2
C6			CC73GCH1H060D	CHIP C 6.0PF D	K3M5M6
C7			CC73GCH1H270J	CHIP C 27PF J	
C10			CK73FB1C105K	CHIP C 1.0UF K	
C11 ,12			CK73GB1H103K	CHIP C 0.010UF K	
C13			CK73FB1C105K	CHIP C 1.0UF K	
C14			CK73GB1C224K	CHIP C 0.22UF K	
C15			CK73GB1C104K	CHIP C 0.10UF K	
C16			CK73GB1H103K	CHIP C 0.010UF K	
C17			CK73GB1C104K	CHIP C 0.10UF K	
C18			CK73GB1H103K	CHIP C 0.010UF K	
C19			CK73GB1C104K	CHIP C 0.10UF K	
C20			CC73GCH1H120J	CHIP C 12PF J	
C21 -23			CK73GB1C104K	CHIP C 0.10UF K	
C24			QEKJ1CM-107Z	E CAPACITOR	
C25			QEKJ1EM-106Z	E CAPACITOR	
C26			CC73GCH1H471J	CHIP C 470PF J	
C27			CC73GCH1H020C	CHIP C 2.0PF C	KK1K2
C27			CC73GCH1H020C	CHIP C 2.0PF C	K3M5M6
C80			CK73GB1E473K	CHIP C 0.047UF K	KK1
C101,102			CK73GB1C105K	CHIP C 1.0UF K	
C111			CK73GB1C105K	CHIP C 1.0UF K	
C112			CK73GB1C104K	CHIP C 0.10UF K	
C160			QEKJ1EM-106Z	E CAPACITOR	
C161			CK73GB1A105K	CHIP C 1.0UF K	
C162		*	QERF1HM-475Z	E CAPACITOR	
C166			CK73GB1C104K	CHIP C 0.10UF K	
C168			CK73GB1C104K	CHIP C 0.10UF K	
C169-171			CK73GB1A105K	CHIP C 1.0UF K	
C172			QERF1AM-107Z	E CAPACITOR	
C173			CK73GB1A105K	CHIP C 1.0UF K	
C174		*	QERF1HM-475Z	E CAPACITOR	
C177			CK73GB1A105K	CHIP C 1.0UF K	
C305-308		*	NCB21CK-224X-A	C CAPACITOR	
C309			QEKJ1CM-226Z	E CAPACITOR	
C311,312			CK73GB1H223K	CHIP C 0.022UF K	
C313		*	NCB21AK-105X-A	C CAPACITOR	
C314,315			CK73GB1A105K	CHIP C 1.0UF K	
C316-319			CC73GCH1H101J	CHIP C 100PF J	KK1
C320		*	QEKJ1HM-106Z	E CAPACITOR	
C321			CC73GCH1H101J	CHIP C 100PF J	
C340		*	QEKJ1HM-106Z	E CAPACITOR	

Ref. No.	Add	New	Parts No.	Description	Destination
C341			CC73GCH1H101J	CHIP C 100PF J	
C368			CK73GB1H472K	CHIP C 4700PF K	
C503,504			CK73GB1C104K	CHIP C 0.10UF K	
C511,512			CC73GCH1H471J	CHIP C 470PF J	
C513			CK73GB1C104K	CHIP C 0.10UF K	
C514			QERF1AM-107Z	E CAPACITOR	
C530			CK73GB1A105K	CHIP C 1.0UF K	
C531			CK73GB1C104K	CHIP C 0.10UF K	
C532			CK73GB1A105K	CHIP C 1.0UF K	
C533-535			CK73GB1C104K	CHIP C 0.10UF K	
C540			CK73GB1C104K	CHIP C 0.10UF K	
C541			CK73GB1H222K	CHIP C 2200PF K	
C542			CK73GB1C104K	CHIP C 0.10UF K	
C543			CK73GB1H103K	CHIP C 0.010UF K	
C544			CK73GB1H332K	CHIP C 3300PF K	
C545			CK73GB1C104K	CHIP C 0.10UF K	
C546			CK73GB1A105K	CHIP C 1.0UF K	
C547			CK73GB1H153K	CHIP C 0.015UF K	
C548			CC73GCH1H680J	CHIP C 68PF J	
C549			CK73GB1C104K	CHIP C 0.10UF K	
C550		*	NCB10JK-106X-A	C CAPACITOR	
C551			CK73GB1C104K	CHIP C 0.10UF K	
C552			CK73GB1H333K	CHIP C 0.033UF K	
C553			CK73GB1H472K	CHIP C 4700PF K	
C554			CC73GCH1H391J	CHIP C 390PF J	
C555			CC73GCH1H681J	CHIP C 680PF J	
C556			CK73GB1C683K	CHIP C 0.068UF K	
C557			CK73GB1E473K	CHIP C 0.047UF K	
C558,559			CK73GB1C104K	CHIP C 0.10UF K	
C561,562			CK73FB0J106K	CHIP C 10UF K	
C564-566			CK73GB1C104K	CHIP C 0.10UF K	
C567			CK73GB1A105K	CHIP C 1.0UF K	
C568-570			CK73GB1C104K	CHIP C 0.10UF K	
C571			CC73GCH1H470J	CHIP C 47PF J	
C572			CK73GB1H153K	CHIP C 0.015UF K	
C573			CK73GB1C104K	CHIP C 0.10UF K	
C574			CK73GB1H103K	CHIP C 0.010UF K	
C576			CK73GB1H152K	CHIP C 1500PF K	
C582,583			CK73GB1H102K	CHIP C 1000PF K	
C592,593			CC73GCH1H101J	CHIP C 100PF J	
C701,702			CC73GCH1H100D	CHIP C 10PF D	
C703			CK73GB1H103K	CHIP C 0.010UF K	
C704			QEKJ1CM-107Z	E CAPACITOR	
C705,706			CK73GB1C104K	CHIP C 0.10UF K	
C708			CK73GB1C104K	CHIP C 0.10UF K	
C711-717			CK73GB1C104K	CHIP C 0.10UF K	
C718			CK73GB1A474K	CHIP C 0.47UF K	
C719,720			CC73GCH1H270J	CHIP C 27PF J	
C722		*	NCB10JK-106X-A	C CAPACITOR	
C723			CK73GB1E473K	CHIP C 0.047UF K	
C724,725			CC73GCH1H180J	CHIP C 18PF J	
C726		*	NCB10JK-106X-A	C CAPACITOR	
C727			CC73GCH1H560J	CHIP C 56PF J	
C728		*	NCB10JK-106X-A	C CAPACITOR	
C881			QEKJ1CM-226Z	E CAPACITOR	

K: KDC-248U K1: KDC-MP248U K2: KDC-MP148U K3: KDC-208U

M: KDC-U3049 M1: KDC-U349R M2: KDC-U349S M3: KDC-U349G

M4: KDC-U349A M5: KDC-4051URM M6: KDC-4051UGM C1: KDC-U4049

△Indicates safety critical components.

PARTS LIST

ELECTRIC UNIT (X34-69xx-xx)

Ref. No.	Add	New	Parts No.	Description	Destination	Ref. No.	Add	New	Parts No.	Description	Destination
C891			CK73GB1C104K	CHIP C 0.10UF K		L981		*	QQL92AK-220Z	INDUCTOR	
C901			QEZ0934-338	E CAPACITOR		L982		*	NQLH25M-4R7X	INDUCTOR	
C903,904			QEKJ1CM-476Z	E CAPACITOR		L983			L92-0639-05	FERRITE BEADS	
C905			CK73GB1C104K	CHIP C 0.10UF K		L985			L92-0879-05	FERRITE BEADS	
C906			QEKJ1CM-107Z	E CAPACITOR		X1		*	QAX0952-001Z	CRYSTAL	
C907			QERF0JM-337Z	E CAPACITOR		X540			L78-1236-05	C RESONATOR	
C910			QEKJ1EM-106Z	E CAPACITOR		X701		*	QAX0957-001Z	CRYSTAL	
C912			CK73GB1C104K	CHIP C 0.10UF K		X702			QAX0401-001	CRYSTAL	
C913			QERF0JM-337Z	E CAPACITOR		F	2D		GE40377-005A	SPECIAL SCREW	
C914			CK73GB1H472K	CHIP C 4700PF K		G	2D		N82-2606-48	TAP SCREW	
C931			CK73GB1C104K	CHIP C 0.10UF K		H	2D		QYSDSG3006ZA	TAP SCREW	
C932			QERF0JM-337Z	E CAPACITOR		J	2D		N86-2608-48	TAP SCREW	
C933			CK73GB1C104K	CHIP C 0.10UF K		K	2D		N86-2610-48	TAP SCREW	
C941			CK73GB1C104K	CHIP C 0.10UF K		R1 ,2			RK73GB2A474J	CHIP R 470K J 1/10W	MM1M2
C954			CK73GB1C104K	CHIP C 0.10UF K		R1 ,2			RK73GB2A474J	CHIP R 470K J 1/10W	M3M4C1
C962			QERF1AM-107Z	E CAPACITOR		R1 ,2			RK73GB2A684J	CHIP R 680K J 1/10W	KK1K2
C963		*	QEKJ0JM-476Z	E CAPACITOR		R1 ,2			RK73GB2A684J	CHIP R 680K J 1/10W	K3M5M6
C981		*	NCB10JK-106X-A	C CAPACITOR		R3			RK73GB2A101J	CHIP R 100 J 1/10W	MM1M2
C983		*	CC73GCH1H151J	CHIP C 150PF J		R3			RK73GB2A101J	CHIP R 100 J 1/10W	M3M4C1
C984			CK73GB1C104K	CHIP C 0.10UF K		R4			RK73GB2A472J	CHIP R 4.7K J 1/10W	
C985		*	NCJ11EK-106X-A	C CAPACITOR		R5			RK73FB2B470J	CHIP R 47 J 1/8W	
C987		*	NCB10JK-106X-A	C CAPACITOR		R6 ,7			RK73GB2A221J	CHIP R 220 J 1/10W	
C989		*	NCJ11EK-106X-A	C CAPACITOR		R8			RK73FB2B470J	CHIP R 47 J 1/8W	
C990			CK73GB1H104K	CHIP C 0.10UF K		R9			RK73GB2A000J	CHIP R 0.0 J 1/10W	M5M6
CN502			QGF1040F1-26	FPC CONNECTOR		R9 ,10			RK73GB2A000J	CHIP R 0.0 J 1/10W	MM1M2
CN701			E58-1124-05	TDF CONNECTOR		R9 ,10			RK73GB2A000J	CHIP R 0.0 J 1/10W	M3M4C1
CN901			E58-0991-05	CAR CONNECTOR		R11			RK73EB2E000J	CHIP R 0.0 J 1/4W	
J1			QNB0190-001	ANTENNA TERMINAL		R82			RK73GB2A101J	CHIP R 100 J 1/10W	KK1
J321			QNN0864-001	PIN JACK		R100			RK73GB2A000J	CHIP R 0.0 J 1/10W	
L1			L40-1091-17	INDUCTOR	MM1M2	R101			RK73GB2A473J	CHIP R 47K J 1/10W	
L1			L40-1091-17	INDUCTOR	M3M4C1	R102			RK73GB2A000J	CHIP R 0.0 J 1/10W	
L1			L40-4781-17	INDUCTOR	KK1K2	R110			RK73GB2A000J	CHIP R 0.0 J 1/10W	
L1			L40-4781-17	INDUCTOR	K3M5M6	R111			RK73GB2A473J	CHIP R 47K J 1/10W	
L2			L40-1891-17	INDUCTOR	KK1K2	R112			RK73GB2A471J	CHIP R 470 J 1/10W	
L2			L40-1891-17	INDUCTOR	K3M5M6	R161			RK73GB2A103J	CHIP R 10K J 1/10W	
L2			L40-3391-17	INDUCTOR	MM1M2	R162			RK73EB2E000J	CHIP R 0.0 J 1/4W	
L2			L40-3391-17	INDUCTOR	M3M4C1	R163			RK73GB2A101J	CHIP R 100 J 1/10W	
L3			QQL231K-R27Y	INDUCTOR		R165			RK73GB2A101J	CHIP R 100 J 1/10W	
L4			QQR1872-001	RF COIL		R167			RK73GB2A222J	CHIP R 2.2K J 1/10W	
L5 ,6			QQL244J-561Z	INDUCTOR		R168			RK73FB2B000J	CHIP R 0.0 J 1/8W	
L7			L40-4791-17	INDUCTOR	MM1M2	R302			RK73EB2E473J	CHIP R 47K J 1/4W	
L7			L40-4791-17	INDUCTOR	M3M4C1	R304			RK73GB2A000J	CHIP R 0.0 J 1/10W	
L7 ,8			L40-4791-17	INDUCTOR	KK1K2	R307			RK73GB2A000J	CHIP R 0.0 J 1/10W	
L7 ,8			L40-4791-17	INDUCTOR	K3M5M6	R310			RK73EB2E100J	CHIP R 10 J 1/4W	
L9			L40-4781-17	INDUCTOR		R320			RK73GB2A331J	CHIP R 330 J 1/10W	
L10			L92-0609-05	FERRITE BEADS	KK1K2	R321			RK73GB2A223J	CHIP R 22K J 1/10W	
L10			L92-0609-05	FERRITE BEADS	K3	R322			RK73GB2A181J	CHIP R 180 J 1/10W	
L101,102			L92-0639-05	FERRITE BEADS		R323			RK73GB2A000J	CHIP R 0.0 J 1/10W	
L161			L40-2775-92	INDUCTOR		R333			RK73GB2A000J	CHIP R 0.0 J 1/10W	
L531			L92-0879-05	FERRITE BEADS		R340			RK73GB2A331J	CHIP R 330 J 1/10W	
L561-565			L92-0879-05	FERRITE BEADS		R341			RK73GB2A223J	CHIP R 22K J 1/10W	
L701			L40-4791-17	INDUCTOR		R342			RK73GB2A181J	CHIP R 180 J 1/10W	
L703			L92-0879-05	FERRITE BEADS		R357,358			RK73GB2A472J	CHIP R 4.7K J 1/10W	
L901			QQR1882-001	CHOKE COIL		R373			RK73GB2A000J	CHIP R 0.0 J 1/10W	

K: KDC-248U K1: KDC-MP248U K2: KDC-MP148U K3: KDC-208U
 M: KDC-U3049 M1: KDC-U349R M2: KDC-U349S M3: KDC-U349G
 M4: KDC-U349A M5: KDC-4051URM M6: KDC-4051UGM C1: KDC-U4049

△ Indicates safety critical components.

PARTS LIST

ELECTRIC UNIT (X34-69xx-xx)

Ref. No.	A d d	N e w	Parts No.	Description	Desti- nation
R400-406			RK73EB2E000J	CHIP R 0.0 J 1/4W	
R408-457			RK73EB2E000J	CHIP R 0.0 J 1/4W	
R459			RK73GB2A000J	CHIP R 0.0 J 1/10W	
R461-475			RK73GB2A000J	CHIP R 0.0 J 1/10W	
R477-483			RK73GB2A000J	CHIP R 0.0 J 1/10W	
R484			RK73FB2B000J	CHIP R 0.0 J 1/8W	
R485-488			RK73EB2E000J	CHIP R 0.0 J 1/4W	
R491			RK73EB2E000J	CHIP R 0.0 J 1/4W	
R493			RK73EB2E150J	CHIP R 15 J 1/4W	
R501			RK73GB2A333J	CHIP R 33K J 1/10W	
R502,503			RK73EB2E101J	CHIP R 100 J 1/4W	
R504			RK73EB2E513J	CHIP R 51K J 1/4W	
R505			RK73GB2A223J	CHIP R 22K J 1/10W	
R506			RK73GB2A682J	CHIP R 6.8K J 1/10W	
R507			RK73GB2A113J	CHIP R 11K J 1/10W	
R508,509			RK73EB2E000J	CHIP R 0.0 J 1/4W	
R510			RK73GB2A822J	CHIP R 8.2K J 1/10W	
R511-513			RK73GB2A000J	CHIP R 0.0 J 1/10W	
R514			RK73GB2A822J	CHIP R 8.2K J 1/10W	
R515			RK73EB2E000J	CHIP R 0.0 J 1/4W	
R516,517			RK73GB2A822J	CHIP R 8.2K J 1/10W	
R518			RK73EB2E101J	CHIP R 100 J 1/4W	
R519			RK73GB2A683J	CHIP R 68K J 1/10W	
R520			RK73GB2A103J	CHIP R 10K J 1/10W	
R530			RK73EB2E100J	CHIP R 10 J 1/4W	
R531-533			RK73GB2A473J	CHIP R 47K J 1/10W	
R534			RK73GB2A103J	CHIP R 10K J 1/10W	
R540			RK73GB2A221J	CHIP R 220 J 1/10W	
R541			RK73GB2A000J	CHIP R 0.0 J 1/10W	
R543			RK73GB2A000J	CHIP R 0.0 J 1/10W	
R545			RK73GB2A225J	CHIP R 2.2M J 1/10W	
R547			RK73GB2A4R7J	CHIP R 4.7 J 1/10W	
R548			RK73GB2A104J	CHIP R 100K J 1/10W	
R549			RK73GB2A102J	CHIP R 1.0K J 1/10W	
R550			RK73GB2A472J	CHIP R 4.7K J 1/10W	
R551,552			RK73EB2E000J	CHIP R 0.0 J 1/4W	
R553			RK73GB2A473J	CHIP R 47K J 1/10W	
R554,555			RK73FB2B4R7J	CHIP R 4.7 J 1/8W	
R556			RK73GB2A000J	CHIP R 0.0 J 1/10W	
R557			RK73GB2A471J	CHIP R 470 J 1/10W	
R558			RK73GB2A105J	CHIP R 1.0M J 1/10W	
R559,560			RK73GB2A101J	CHIP R 100 J 1/10W	
R561-564			RK73EB2E101J	CHIP R 100 J 1/4W	
R565,566			RK73GB2A103J	CHIP R 10K J 1/10W	
R567-570			RK73GB2A101J	CHIP R 100 J 1/10W	
R571			RK73GB2A103J	CHIP R 10K J 1/10W	
R572			RK73GB2A104J	CHIP R 100K J 1/10W	
R573			RK73GB2A334J	CHIP R 330K J 1/10W	
R574			RK73GB2A153J	CHIP R 15K J 1/10W	
R575			RK73EB2E332J	CHIP R 3.3K J 1/4W	
R576,577			RK73GB2A103J	CHIP R 10K J 1/10W	
R580			RK73GB2A000J	CHIP R 0.0 J 1/10W	
R586			RK73GB2A000J	CHIP R 0.0 J 1/10W	
R595,596			RK73GB2A202J	CHIP R 2.0K J 1/10W	
R701			RK73EB2E472J	CHIP R 4.7K J 1/4W	

Ref. No.	A d d	N e w	Parts No.	Description	Desti- nation
R702			RK73EB2E101J	CHIP R 100 J 1/4W	
R703,704			RK73GB2A101J	CHIP R 100 J 1/10W	
R706			RK73GB2A101J	CHIP R 100 J 1/10W	
R708			RK73EB2E101J	CHIP R 100 J 1/4W	
R712			RK73GB2A101J	CHIP R 100 J 1/10W	
R713			RK73EB2E101J	CHIP R 100 J 1/4W	
R715			RK73EB2E101J	CHIP R 100 J 1/4W	
R718			RK73EB2E473J	CHIP R 47K J 1/4W	
R720			RK73GB2A473J	CHIP R 47K J 1/10W	
R721			RK73GB2A105J	CHIP R 1.0M J 1/10W	
R722,723			RK73EB2E473J	CHIP R 47K J 1/4W	
R725-728			RK73GB2A473J	CHIP R 47K J 1/10W	
R730,731			RK73GB2A473J	CHIP R 47K J 1/10W	
R732			RK73GB2A472J	CHIP R 4.7K J 1/10W	
R735			RK73GB2A473J	CHIP R 47K J 1/10W	
R736			RK73EB2E473J	CHIP R 47K J 1/4W	
R737			RK73GB2A101J	CHIP R 100 J 1/10W	
R738			RK73GB2A222J	CHIP R 2.2K J 1/10W	
R739			RK73EB2E103J	CHIP R 10K J 1/4W	
R740,741			RK73GB2A103J	CHIP R 10K J 1/10W	
R742-744			RK73GB2A473J	CHIP R 47K J 1/10W	
R745			RK73GB2A101J	CHIP R 100 J 1/10W	
R746			RK73GB2A473J	CHIP R 47K J 1/10W	
R747			RK73GB2A243J	CHIP R 24K J 1/10W	
R749,750			RK73GB2A332J	CHIP R 3.3K J 1/10W	KK1
R751			RK73GB2A223J	CHIP R 22K J 1/10W	
R753,754			RK73GB2A332J	CHIP R 3.3K J 1/10W	
R756			RK73GB2A473J	CHIP R 47K J 1/10W	
R757			RK73EB2E332J	CHIP R 3.3K J 1/4W	
R758			RK73GB2A332J	CHIP R 3.3K J 1/10W	
R759			RK73GB2A473J	CHIP R 47K J 1/10W	
R762,763			RK73GB2A472J	CHIP R 4.7K J 1/10W	
R764			RK73GB2A223J	CHIP R 22K J 1/10W	K1K2
R764			RK73GB2A393J	CHIP R 39K J 1/10W	M5M6
R764,765			RK73GB2A333J	CHIP R 33K J 1/10W	MM1M2
R764,765			RK73GB2A333J	CHIP R 33K J 1/10W	M3M4C1
R765			RK73GB2A273J	CHIP R 27K J 1/10W	KK1
R765			RK73GB2A333J	CHIP R 33K J 1/10W	M5M6
R765			RK73GB2A393J	CHIP R 39K J 1/10W	K2K3
R766			RK73EB2E153J	CHIP R 15K J 1/4W	MM1M2
R766			RK73EB2E153J	CHIP R 15K J 1/4W	M3M4C1
R766			RK73EB2E273J	CHIP R 27K J 1/4W	K1K2
R766			RK73EB2E473J	CHIP R 47K J 1/4W	KK3
R766			RK73EB2E822J	CHIP R 8.2K J 1/4W	M5M6
R767			RK73GB2A153J	CHIP R 15K J 1/10W	MM1M2
R767			RK73GB2A153J	CHIP R 15K J 1/10W	M3M4M5
R767			RK73GB2A153J	CHIP R 15K J 1/10W	M6C1
R767			RK73GB2A223J	CHIP R 22K J 1/10W	KK1
R767			RK73GB2A822J	CHIP R 8.2K J 1/10W	K2K3
R768,769			RK73GB2A473J	CHIP R 47K J 1/10W	
R770,771			RK73GH2A472D	CHIP R 4.7K D 1/10W	
R772			RK73EB2E472J	CHIP R 4.7K J 1/4W	
R773			RK73GB2A472J	CHIP R 4.7K J 1/10W	
R774			RK73GH2A472D	CHIP R 4.7K D 1/10W	
R775,776			RK73GB2A153J	CHIP R 15K J 1/10W	

K: KDC-248U K1: KDC-MP248U K2: KDC-MP148U K3: KDC-208U
 M: KDC-U3049 M1: KDC-U349R M2: KDC-U349S M3: KDC-U349G
 M4: KDC-U349A M5: KDC-4051URM M6: KDC-4051UGM C1: KDC-U4049

△ Indicates safety critical components.

PARTS LIST

ELECTRIC UNIT (X34-69xx-xx)

Ref. No.	Add	New	Parts No.	Description	Destination	Ref. No.	Add	New	Parts No.	Description	Destination
R777			RK73GB2A102J	CHIP R 1.0K J 1/10W		D321			BAW56W	SILICON DIODE	
R778,779			RK73GB2A271J	CHIP R 270 J 1/10W		D502			GS1J-LTP-X	SILICON DIODE	
R780			RK73GB2A473J	CHIP R 47K J 1/10W		D540		*	RKS801KF-X	SILICON DIODE	
R781			RK73GB2A331J	CHIP R 330 J 1/10W		D704			DZ2J051/M/-X	ZENER DIODE	
R782			RK73GB2A821J	CHIP R 820 J 1/10W		D780,781			BAW56W	SILICON DIODE	
R783			RK73GB2A104J	CHIP R 100K J 1/10W		D782		*	RKS801KF-X	SILICON DIODE	
R784,785			RK73GB2A223J	CHIP R 22K J 1/10W		D783			BAW56W	SILICON DIODE	
R786			RK73GB2A103J	CHIP R 10K J 1/10W		D851,852			MBRX130-TP-X	SB DIODE	C1
R787			RK73GB2A473J	CHIP R 47K J 1/10W		D851,852			MBRX130-TP-X	SB DIODE	K2K3M
R851			RK73GB2A472J	CHIP R 4.7K J 1/10W	C1	D851,852			MBRX130-TP-X	SB DIODE	M1M2M3
R851			RK73GB2A472J	CHIP R 4.7K J 1/10W	K2K3M	D891			BAW56W	SILICON DIODE	M4M5M6
R851			RK73GB2A472J	CHIP R 4.7K J 1/10W	M1M2M3	D901			1N5401-BPC04	SILICON DIODE	
R881			RK73GB2A273J	CHIP R 27K J 1/10W	M4M5M6	D902			MBRX130-TP-X	SB DIODE	
R882			RK73GB2A473J	CHIP R 47K J 1/10W		D941,942			MBRX130-TP-X	SB DIODE	
R891			RK73GB2A103J	CHIP R 10K J 1/10W		D970,971			DZ2J068/M/-X	ZENER DIODE	
R892			RK73GB2A683J	CHIP R 68K J 1/10W		D981			MBRX130-TP-X	SB DIODE	
R893			RK73EB2E123J	CHIP R 12K J 1/4W		D982		*	RKS801KF-X	SILICON DIODE	
R894			RK73GB2A000J	CHIP R 0.0 J 1/10W		D983			MBRX130-TP-X	SB DIODE	
R901			RD14BB2C103J	RD 10K J 1/6W		IC1			TEF6614TV1S3-X	ANALOGUE IC	M5M6
R902,903			RD14BB2C6R8J	RD 6.8 J 1/6W		IC1			TEF6614TV1S4-X	ANALOGUE IC	C1
R906			RK73GB2A472J	CHIP R 4.7K J 1/10W		IC1			TEF6614TV1S4-X	ANALOGUE IC	KK1K2
R907			RK73GB2A155J	CHIP R 1.5M J 1/10W		IC1			TEF6614TV1S4-X	ANALOGUE IC	K3MM1
R908			RK73GB2A472J	CHIP R 4.7K J 1/10W		IC1			TEF6614TV1S4-X	ANALOGUE IC	M2M3M4
R909			RK73GB2A273J	CHIP R 27K J 1/10W		IC80		*	MFI341S2313-X	MPU-IC	KK1
R930			RK73FB2B000J	CHIP R 0.0 J 1/8W		IC161			E-TDA7718N	ANALOGUE IC	
R941			RK73EB2E472J	CHIP R 4.7K J 1/4W		IC301			TB2926CHQ	ANALOGUE IC	
R951			RK73EB2E102J	CHIP R 1.0K J 1/4W		IC501			LA6565	ANALOGUE IC	
R952			RK73GB2A331J	CHIP R 330 J 1/10W		IC530			XC6213B332NG-X	ANALOGUE IC	
R963			RK73GB2A223J	CHIP R 22K J 1/10W		IC531,532			XC6213B152NG-X	ANALOGUE IC	
R970			RK73GB2A473J	CHIP R 47K J 1/10W		IC540		*	JCV8022	MOS-IC	
R971,972			RK73GB2A103J	CHIP R 10K J 1/10W		IC701		*	W05-1643-00	MCU-IC	
R973			RK73GB2A203J	CHIP R 20K J 1/10W		IC702			XC6120N282NG-X	MOS-IC	
R974			RK73GB2A473J	CHIP R 47K J 1/10W		IC771			R1EX24002ASAAX	ROM-IC	
R975			RK73FB2B473J	CHIP R 47K J 1/8W		IC901			LV5680P	ANALOGUE IC	
R976			RK73FB2B683J	CHIP R 68K J 1/8W		IC931			XC6213B332NG-X	ANALOGUE IC	
R981			RK73GH2A184D	CHIP R 180K D 1/10W		IC961			BD2224G	MOS-IC	
R982			RK73GH2A333D	CHIP R 33K D 1/10W		IC981		*	MP2562DS-X	ANALOGUE IC	
R983			RK73GB2A154J	CHIP R 150K J 1/10W		Q321			IMX9	P TRANSISTOR	
R985			RK73GH2A134D	CHIP R 130K D 1/10W		Q540			2SA2188/F/-X	SS TRANSISTOR	
R986			RK73GH2A753D	CHIP R 75K D 1/10W		Q701			RT1P144C-X	D TRANSISTOR	
R987			RK73GB2A103J	CHIP R 10K J 1/10W		Q780			RT1P241C-X	D TRANSISTOR	
S701			S70-0959-05	TACT SWITCH		Q781			RT1N241C-X	D TRANSISTOR	
D100,101		*	DZ2J062/M/-X	ZENER DIODE	C1	Q782			RT1P241C-X	D TRANSISTOR	
D100,101		*	DZ2J062/M/-X	ZENER DIODE	K2K3M	Q881			RT1N141C-X	D TRANSISTOR	
D100,101		*	DZ2J062/M/-X	ZENER DIODE	M1M2M3	Q951			2SA812A/5-6/-X	SS TRANSISTOR	
D100,101		*	DZ2J062/M/-X	ZENER DIODE	M4M5M6	Q952			RT1N441C-X	D TRANSISTOR	
D102			DZ2J068/M/-X	ZENER DIODE		Q970,971			2SC1623A/5-6/X	SS TRANSISTOR	
D110,111		*	DZ2J062/M/-X	ZENER DIODE	C1	Q981			RT1N441C-X	D TRANSISTOR	
D110,111		*	DZ2J062/M/-X	ZENER DIODE	K2K3M	MECHANISM ASSY (X92-6630-00) HCS-1000W					
D110,111		*	DZ2J062/M/-X	ZENER DIODE	M1M2M3	1	1B	*	LV11685-503A	TOP FRAME	
D110,111		*	DZ2J062/M/-X	ZENER DIODE	M4M5M6	2	3A		LV11686-501A	BOTTOM FRAME	
D112			DZ2J068/M/-X	ZENER DIODE		12	3B		LV11688-501A	LOADING BASE	
						13	2A		LV11690-501A	ROLLER ARM	

K: KDC-248U K1: KDC-MP248U K2: KDC-MP148U K3: KDC-208U
M: KDC-U3049 M1: KDC-U349R M2: KDC-U349S M3: KDC-U349G
M4: KDC-U349A M5: KDC-4051URM M6: KDC-4051UGM C1: KDC-U4049

△ Indicates safety critical components.

PARTS LIST

MECHANISM ASSY (X92-6630-00) HCS-1000W

Ref. No.	Add	New	Parts No.	Description	Destination	Ref. No.	Add	New	Parts No.	Description	Destination
14	1B	*	LV22825-502A	HC CLAMPER BASE							
16	2B	*	LV22826-502A	LOAD CAM							
17	1A		LV22827-501A	FL SLIDER (L)							
21	2B		LV36815-501A	F WHEEL GEAR							
22	2A		LV36904-001A	DAMPER (FRONT)							
23	2B		LV37061-001A	DAMPER (REAR)							
24	2B		LV38951-501A	TRIGGER RACK							
26	1B		LV38952-501A	FL SLIDER (B)							
27	1B		LV38953-501A	TRIGGER PLATE							
28	1A		LV38956-501A	SW SLIDER (L)							
29	2A		LV38957-501A	SW SLIDER (R)							
31	1A		LV38958-501A	JOINT PLATE							
32	2A		LV38959-501A	SW ACTUATOR							
33	2B		LV38960-501A	FEED RACK							
37	3B		LV38964-501A	D.WHEEL GEAR							
38	3B		LV38965-501A	ACT GEAR (1)							
39	3B		LV38966-501A	ACT GEAR (2)							
41	3B		LV38967-501A	ACT GEAR (3)							
42	3B		LV38968-501A	ROLLER ACT GEAR							
43	3B		LV38969-501A	DRIVE GEAR							
46	1A		LV39009-501A	JOINT LEVER							
48	3B		LV44555-001A	MAIN SHAFT							
51	2A		LV45424-001A	HC ROLLER							
55	2A		X94-2180-00	HC ROLLER SHAFT ASSY (SVC PRT)							
61	2B		LV45415-501A	TRIGGER SPRING							
62	2B		LV45416-501A	LOAD CAM SPRING							
63	1B		LV45417-501A	FL SLIDER SPRING							
64	3A		LV45418-501A	R.ARM SPRING							
66	1A		LV45420-501A	SW SLIDER SPRING							
67	1B		LV45421-501A	HC CL SPRING							
68	2B		LV45422-501A	SUS SPRING (F)							
69	2B		LV45423-501A	SUS SPRING (B)							
71	2A	*	LV45505-502A	SW ACT SPRING							
76	2A		LV11689-501A	DISC GUIDE							
77	3B		LV22828-501A	FEED BRACKET							
78	3B		LV36813-501A	SUB GUIDE CAP							
79	1B	*	LV36819-502A	CLAMPER							
81	3A		LV38954-501A	R.ARM GUIDE							
83	2A	*	LV45411-502A	RA COLLER (L)							
86	3A		QAL0817-003	FPC							
A	2A		LV45270-001A	WASHER (2)							
B	2A		LV45449-001A	WASHER							
C	2B		QYSPSGT1745ZA	TAP SCREW							
D	2B	*	LV45568-001A	MINI SCREW							
E	2B		QYSPSPT2025MA	SCREW							
F	3A		VKZ4539-054	MINI SCREW							
DPU1	3B		QAL1226-001	PICK UP							
DM1	2B		X94-2150-00	SPINDLE MOTOR ASSY (SVC PRT)							
DM2	3B		X94-2160-00	FEED MOTOR ASSY (SVC PRT)							
DM3	3A		X94-2170-00	LOADING MOTOR ASSY (SVC PRT)							

K: KDC-248U K1: KDC-MP248U K2: KDC-MP148U K3: KDC-208U

M: KDC-U3049 M1: KDC-U349R M2: KDC-U349S M3: KDC-U349G

M4: KDC-U349A M5: KDC-4051URM M6: KDC-4051UGM C1: KDC-U4049

△ Indicates safety critical components.

SPECIFICATIONS

■ Models for destination “K”

FM tuner section

Frequency range
 KDC-208U/248U: 200kHz space..... 87.9MHz~107.9MHz
 KDC-MP148U/MP248U: 50kHz space
 87.5MHz~108.0MHz
 Usable sensitivity (S/N=26dB)..... 11.2dBf (1.0μV/75Ω)
 Quieting sensitivity (DIN S/N=46dB) 19.2dBf (2.5μV/75Ω)
 Frequency response (±3dB)30Hz~15kHz
 Signal to Noise ratio (MONO) 63dB
 Stereo separation (1kHz) 40dB

AM tuner section

Frequency range (10kHz space)..... 530kHz~1700kHz
 Usable sensitivity (S/N=20dB)..... 31dBμ (36μV)

CD player section

Laser diode..... GaAIs
 Digital filter (D/A)..... 8 Times Over Sampling
 D/A converter 24Bit
 Spindle speed 500~200rpm (CLV)
 Wow & Flutter Below Measurable Limit
 Frequency response (±1dB) 20Hz~20kHz
 Total harmonic distortion (1kHz)..... 0.01%
 Signal to Noise ratio (1kHz)..... 105dB
 Dynamic range 90dB
 MP3 decode..... Compliant with MPEG-1/2 Audio Layer-3
 WMA decode..... Compliant with Windows Media Audio

USB interface

USB standard USB1.1/2.0 (Full speed)
 Maximum supply current..... 500mA
 File system FAT16/32
 MP3 decode..... Compliant with MPEG-1/2 Audio Layer-3
 WMA decode..... Compliant with Windows Media Audio

Audio section

Maximum output power 50W x 4
 Full bandwidth power (at less than 1% THD)..... 22W x 4
 Speaker impedance 4~8Ω
 Tone action
 Bass 100Hz±8dB
 Middle 1kHz±8dB
 Treble 10kHz±8dB
 Preout level/load (CD)..... 2000mV/10kΩ
 Preout impedance ≤600Ω

Auxiliary input section

Frequency response (±3dB) 20Hz~20kHz
 Input maximum voltage 1200mV
 Input impedance 10kΩ

General

Operating voltage (11~16V allowable)..... 14.4V
 Maximum current consumption 10A
 Installation size (W x H x D)..... 182 x 53 x 158 mm
 7-3/16 x 2-1/8 x 6-1/4 inch
 Weight 2.9lbs (1.3kg)

■ Models for destination “M” and “C”

FM tuner section

KDC-U3049/U349A/U349G/U349R/U349S/U4049
 Frequency range
 200kHz space..... 87.9MHz~107.9MHz
 50kHz space 87.5MHz~108.0MHz
 Usable sensitivity (S/N=26dB) 11.2dBf (1.0μV/75Ω)
 Quieting sensitivity (DIN S/N=46dB)
 19.2dBf (2.5μV/75Ω)

KDC-4051UGM/4051URM

Frequency range
 50kHz space..... 87.5MHz~108.0MHz
 Usable sensitivity (S/N=26dB) 1.0μV/75Ω
 Quieting sensitivity (DIN S/N=46dB)..... 2.5μV/75Ω

Frequency response (±3dB) 30Hz~15kHz
 Signal to Noise ratio (MONO) 63dB
 Stereo separation (1kHz) 40dB

AM tuner section

(KDC-U3049/U349A/U349G/U349R/U349S/U4049)

Frequency range
 Band 1 (MW)
 10kHz space 530kHz~1700kHz
 9kHz space 531kHz~1611kHz
 Band 2 (SW1)
 5kHz space 2940kHz~7735kHz
 Band 3 (SW2)
 5kHz space
 9500kHz~10135kHz / 11580kHz~18135kHz
 Usable sensitivity (S/N=20dB)
 MW..... 31dBμ (36μV)
 SW 32dBμ (40μV)

SPECIFICATIONS

MW tuner section (KDC-4051UGM/4051URM)

Frequency range (9kHz space)..... 531kHz~1611kHz
Usable sensitivity (S/N=20dB)..... 36μV

LW tuner section (KDC-4051UGM/4051URM)

Frequency range 153kHz~279kHz
Usable sensitivity (S/N=20dB)..... 57μV

CD player section

Laser diode.....GaAlAs
Digital filter (D/A)..... 8 Times Over Sampling
D/A converter 24Bit
Spindle speed500~200rpm (CLV)
Wow & Flutter Below Measurable Limit
Frequency response (±1dB)20Hz~20kHz
Total harmonic distortion (1kHz)..... 0.01%
Signal to Noise ratio (1kHz) 105dB
Dynamic range 90dB
MP3 decode..... Compliant with MPEG-1/2 Audio Layer-3
WMA decode..... Compliant with Windows Media Audio

KDC-4051UGM/4051URM

AAC decode.....AAC-LC “.m4a” files

USB interface

USB standard..... USB1.1/2.0 (Full speed)
Maximum supply current..... 500mA
File system FAT16/32
MP3 decode..... Compliant with MPEG-1/2 Audio Layer-3
WMA decode..... Compliant with Windows Media Audio

KDC-4051UGM/4051URM

AAC decode.....AAC-LC “.m4a” files

Audio section

Maximum output power 50W x 4

KDC-U3049/U349A/U349G/U349R/U349S/U4049

Full bandwidth power (at less than 1% THD) 22W x 4

KDC-4051UGM/4051URM

Output power (DIN 45324, +B=14.4V) 30W x 4

Speaker impedance4~8Ω

Tone action

Bass 100Hz±8dB

Middle 1kHz±8dB

Treble 10kHz±8dB

Preout level/load (CD)..... 2000mV/10kΩ

Preout impedance ≤600Ω

Auxiliary input section

Frequency response (±3dB)20Hz~20kHz

Input maximum voltage..... 1200mV

Input impedance 10kΩ

General

Operating voltage (11~16V allowable)..... 14.4V

Maximum current consumption 10A

Installation size (W x H x D)..... 182 x 53 x 158 mm

Weight 1.3kg

KENWOOD follows a policy of continuous advancements in development. For this reason specifications may be changed without notice.

DANGER:

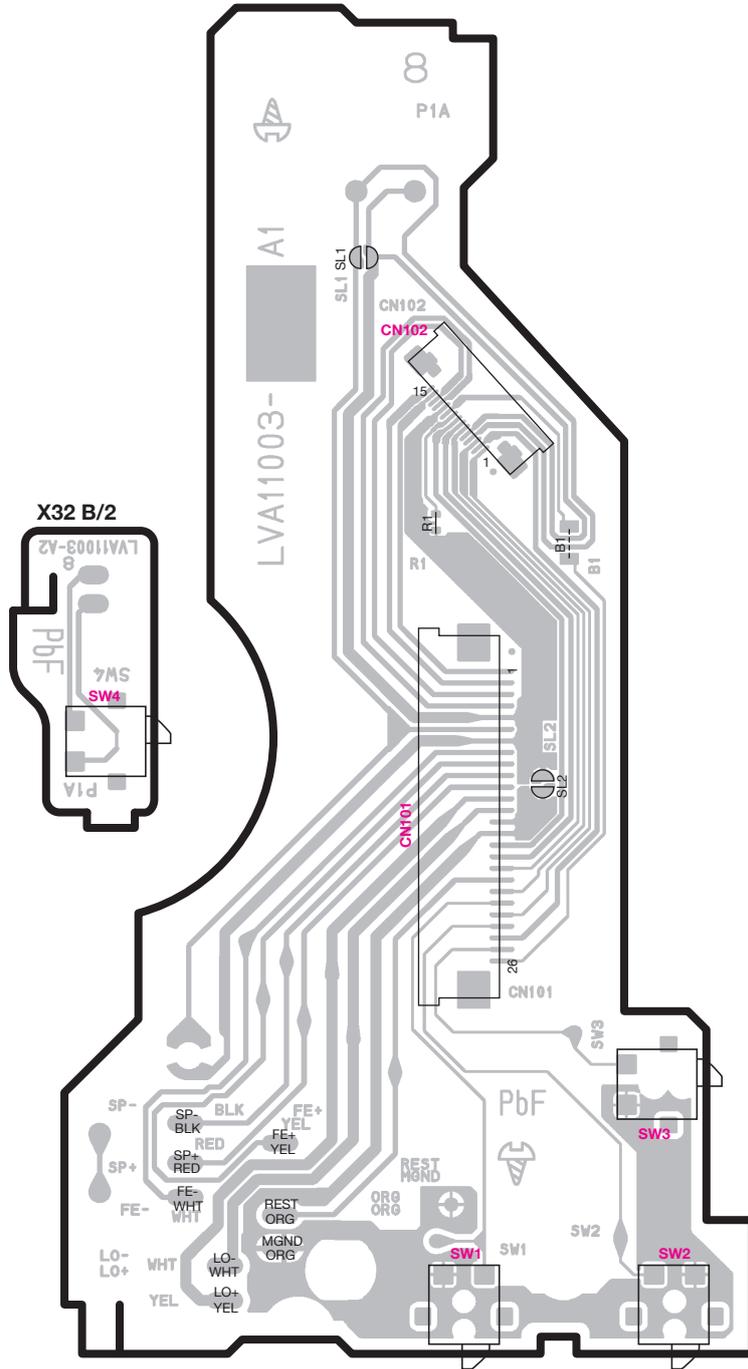
Please do not look at the laser beam directly during repair or operation check.



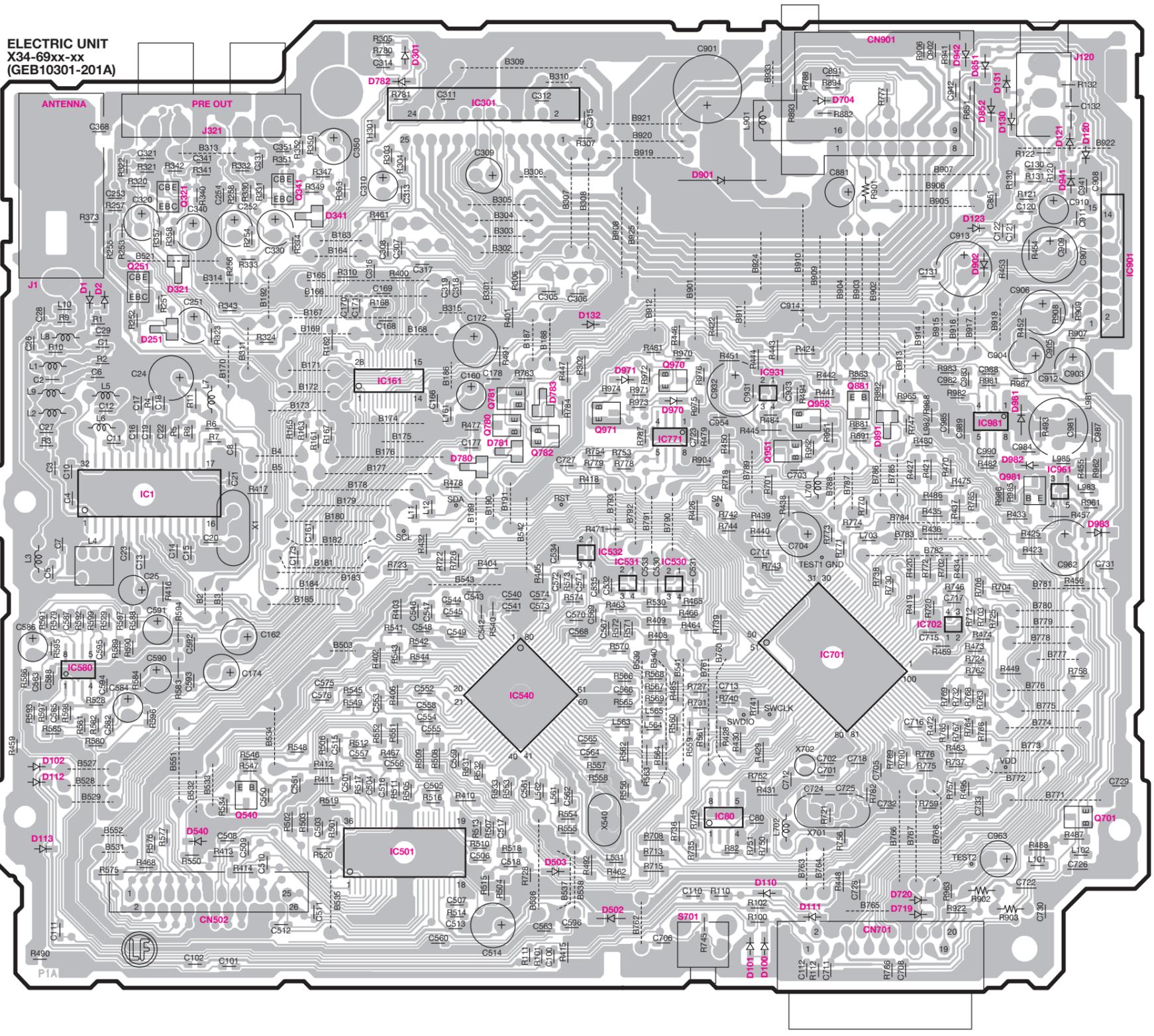
KDC-208U/248U/4051UGM/4051URM/MP148U/MP248U
KDC-U3049/U349A/U349G/U349R/U349S/U4049

PC BOARD (FOIL SIDE VIEW)

CD PLAYER UNIT
X32-6430-00 A/2 (LVB11003-001A)

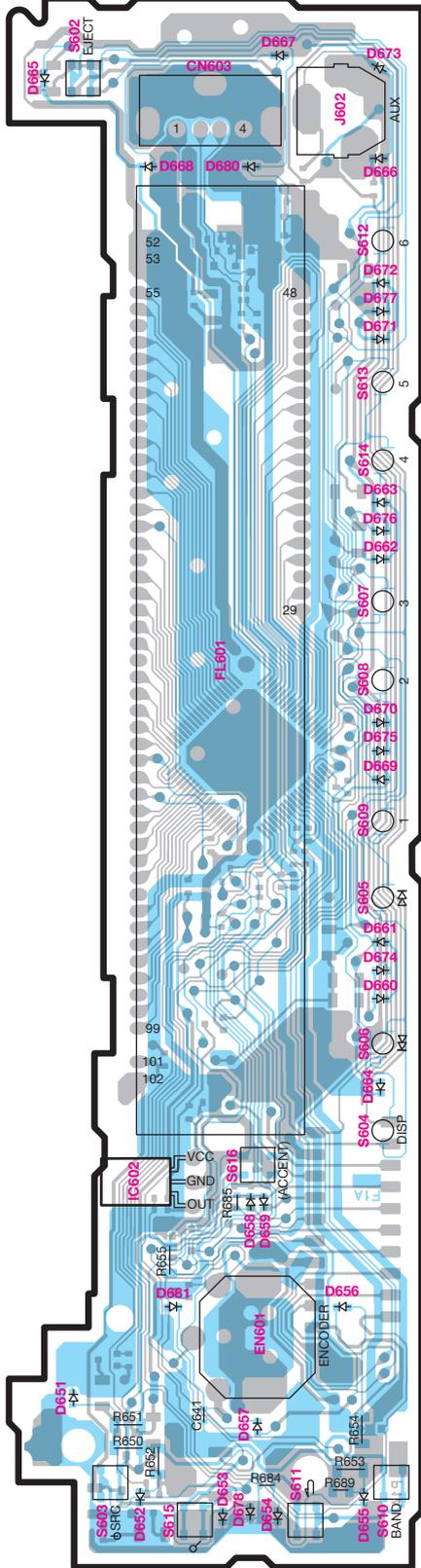


PC BOARD (FOIL SIDE VIEW)



PC BOARD (COMPONENT SIDE VIEW)

SWITCH UNIT
 X16-705x-xx (GEB10302-001A)



(FOIL SIDE VIEW)

SWITCH UNIT
 X16-705x-xx (GEB10302-001A)

